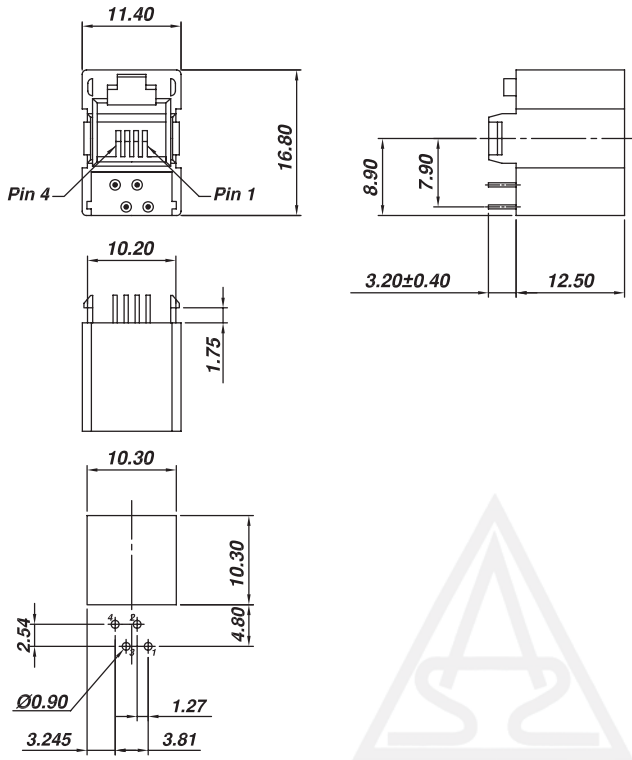


## AJ-001 (4P)



**PCB LAYOUT**  
( Bottom View )

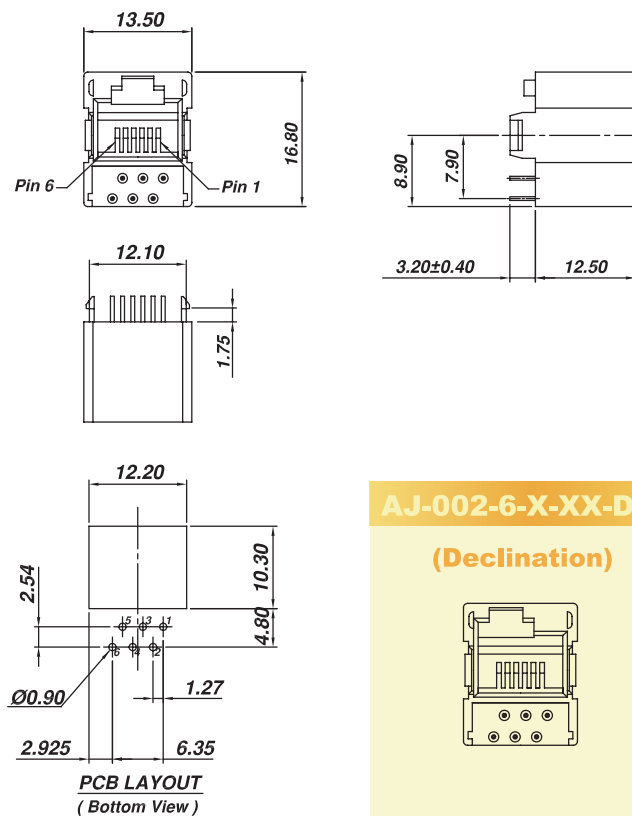
## UL 9622-4 Series



### AJ-001-4-A-XX

A=4p4c	Gold plated	1=15u , 4= 6 u
L=PBT Glass Filled R=Nylon		2=30u , 5= 2-3u 3=50u , 6= Flash

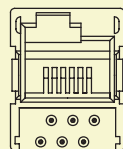
## AJ-002 (6P)



**PCB LAYOUT**  
( Bottom View )

### AJ-002-6-X-XX-DEC

(Declination)



## UL 9622 Series

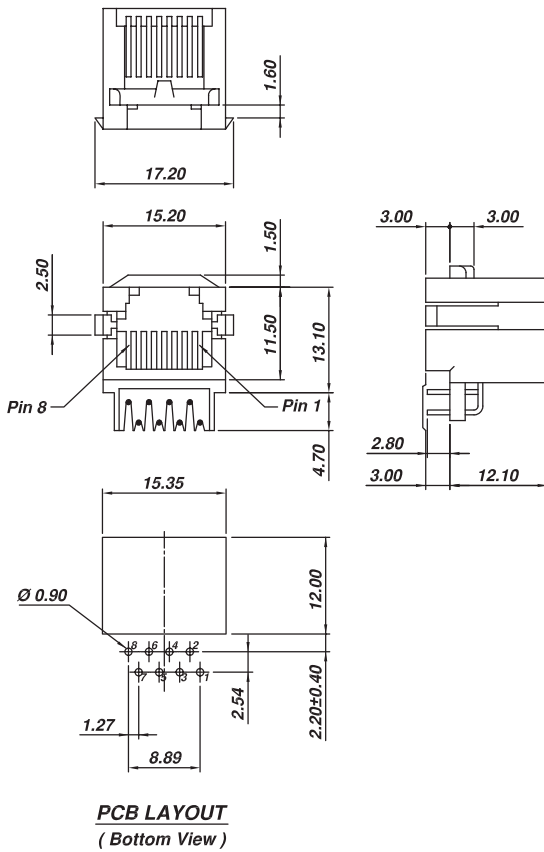


### AJ-002-6-X-XX

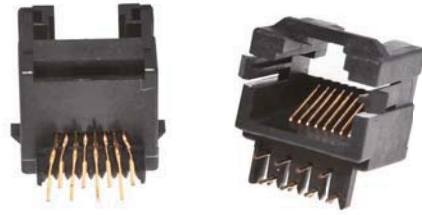
B=6p2c, C=6p4c D=6p6c	Gold plated	1=15u , 4= 6 u
L=PBT Glass Filled R=Nylon		2=30u , 5= 2-3u 3=50u , 6= Flash

# Single Jack

## AJ-003 (8P)



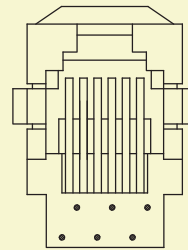
## UL 9622-8 Series



### AJ-003-8-F-XX

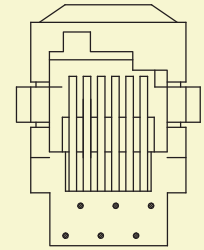
F=8P8C	<table border="1"> <tr> <td>Gold plated</td> <td>1=15u, 4=6u</td> </tr> <tr> <td></td> <td>2=30u, 5=2-3u</td> </tr> <tr> <td></td> <td>3=50u, 6=Flash</td> </tr> </table>	Gold plated	1=15u, 4=6u		2=30u, 5=2-3u		3=50u, 6=Flash
Gold plated		1=15u, 4=6u					
	2=30u, 5=2-3u						
	3=50u, 6=Flash						
L=PBT Glass Filled R=Nylon							

### AJ-003-6-X-XX(6P)

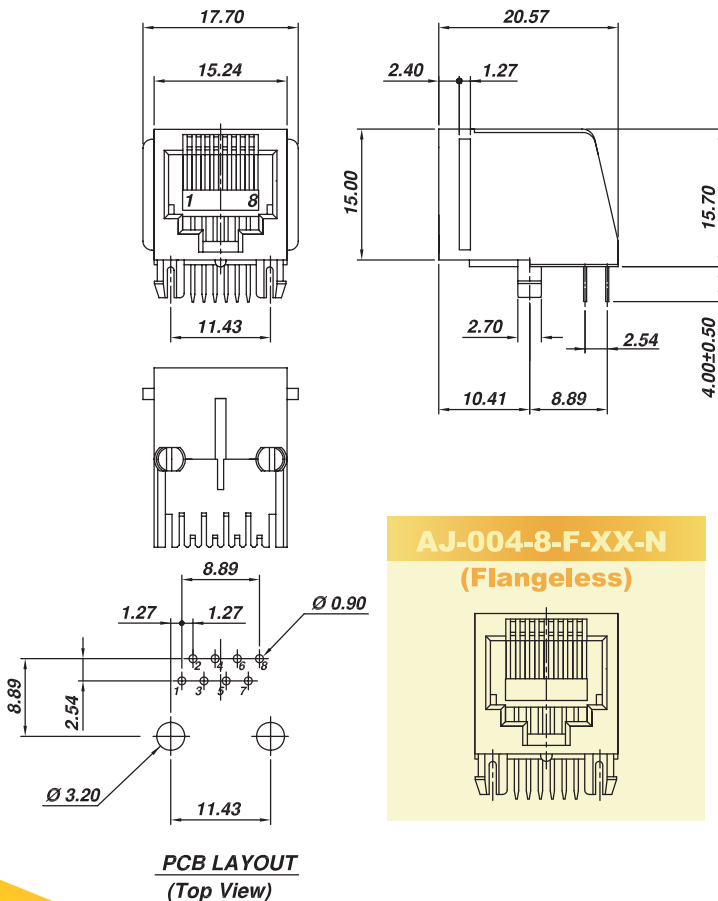


### AJ-003-6-X-XX-DEC

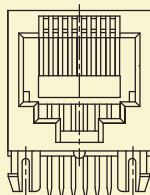
(Declination)



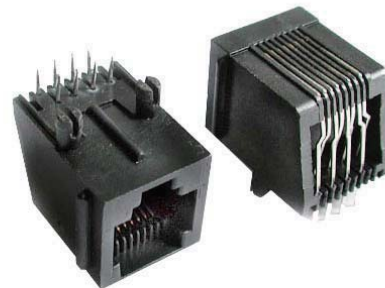
## AJ-004 (8P)



### AJ-004-8-F-XX-N (Flangeless)



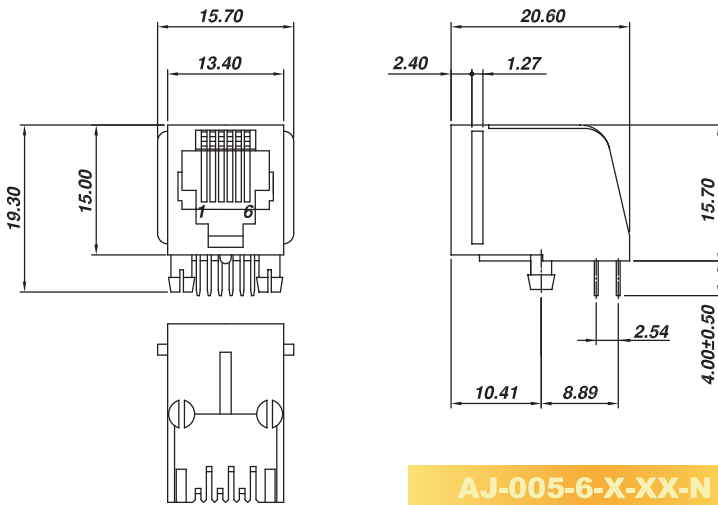
## UL 9658 Series



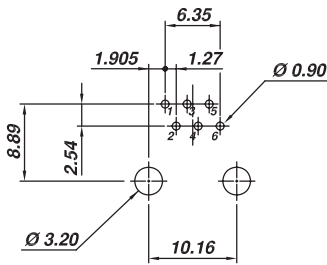
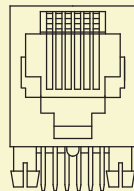
### AJ-004-8-F-XX

F=8P8C	<table border="1"> <tr> <td>Gold plated</td> <td>1=15u, 3=50u</td> </tr> <tr> <td></td> <td>2=15u, 4=6u</td> </tr> </table>	Gold plated	1=15u, 3=50u		2=15u, 4=6u
Gold plated		1=15u, 3=50u			
	2=15u, 4=6u				
L=PBT Glass Filled R=Nylon					

## AJ-005 (6P)



### AJ-005-6-X-XX-N (Flangeless)



PCB LAYOUT  
(Top View)

### UL 9602 Series



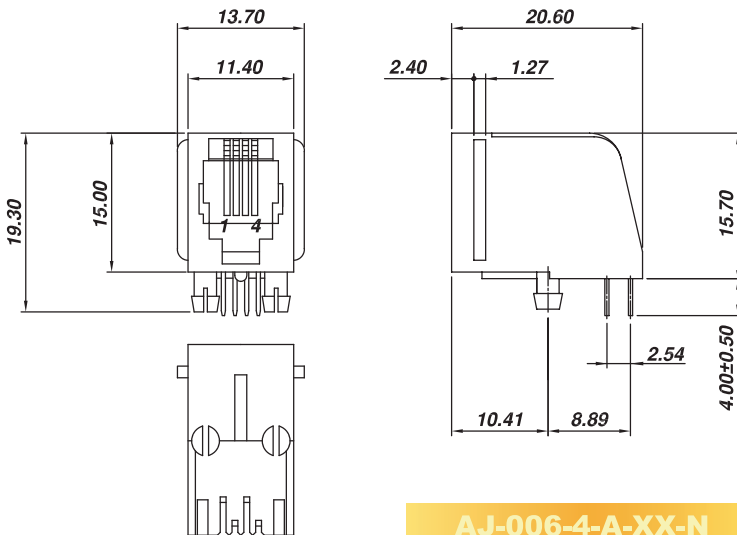
### AJ-005-6-X-XX

B=6p2c, C=6p4c  
D=6p6c

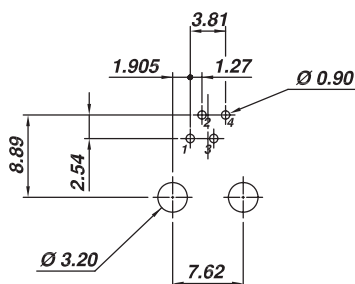
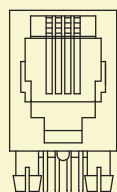
L=PBT Glass Filled  
R=Nylon

Gold plated 1=15u, 3=50u  
2=15u, 4=6u

## AJ-006 (4P)



### AJ-006-4-A-XX-N (Flangeless)



PCB LAYOUT  
(Top View)

### UL 9601 Series



### AJ-006-4-A-XX

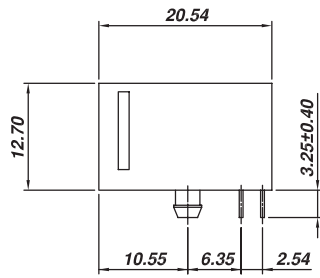
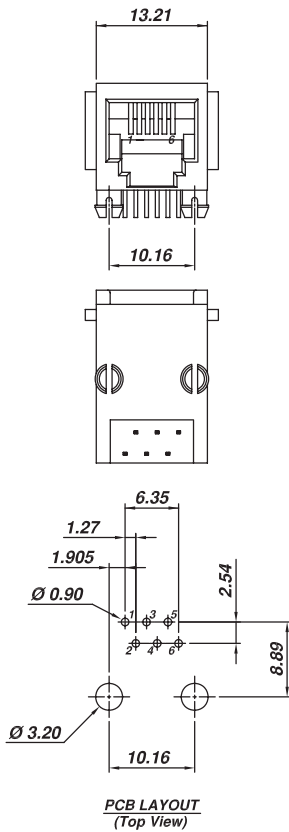
A=4p4c

L=PBT Glass Filled  
R=Nylon

Gold plated 1=15u, 3=50u  
2=15u, 4=6u

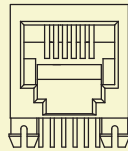
# Single Jack

## AJ-007 (6P)



### AJ-007-6-X-XX-N

(Flangeless)



## UL 9636 Series



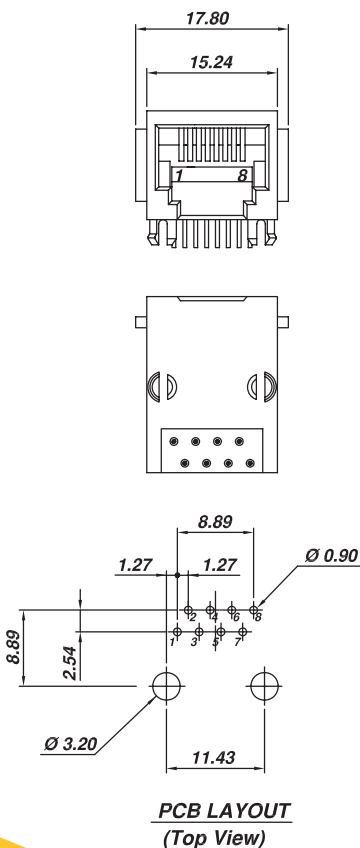
### AJ-007-6-X-XX

B=6p2c, C=6p4c  
D=6p6c

L=PBT Glass Filled  
R=Nylon

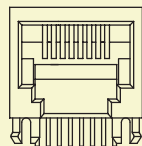
Gold plated  
1=15u, 4= 6 u  
2=30u, 5= 2-3u  
3=50u, 6= Flash

## AJ-008 (8P) Round Contacts AJ-009 (8P) Flat Contacts



### AJ-008-8-F-XX-N

(Flangeless)



## UL 9638 Series



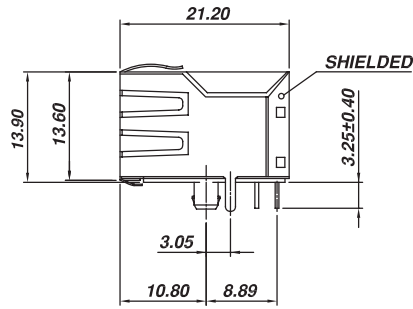
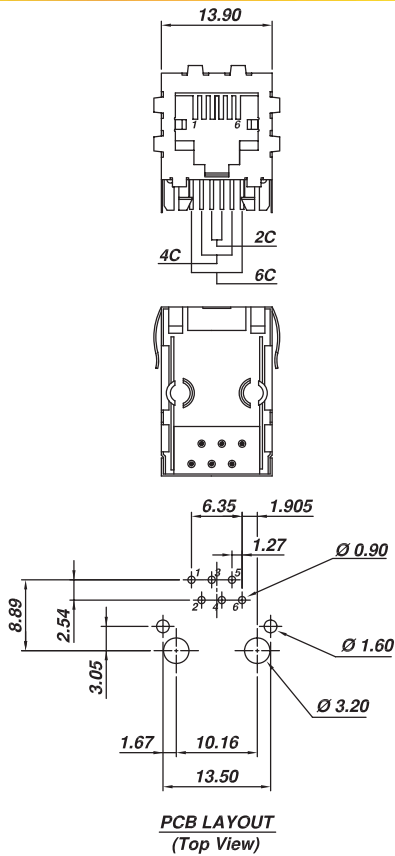
### AJ-008-8-F-XX

F=8p8c

L=PBT Glass Filled  
R=Nylon

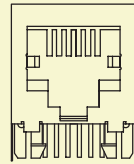
Gold plated  
1=15u, 4= 6 u  
2=30u, 5= 2-3u  
3=50u, 6= Flash

## AJ-007SH (6P)

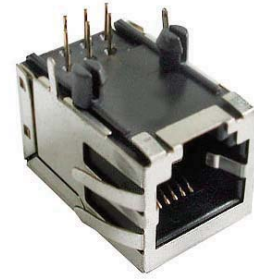


### AJ-007SH-6-X-XX-B1-N1

(Without Panel Ground)



## UL 9636-S Series



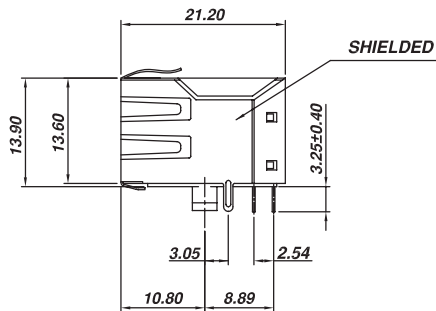
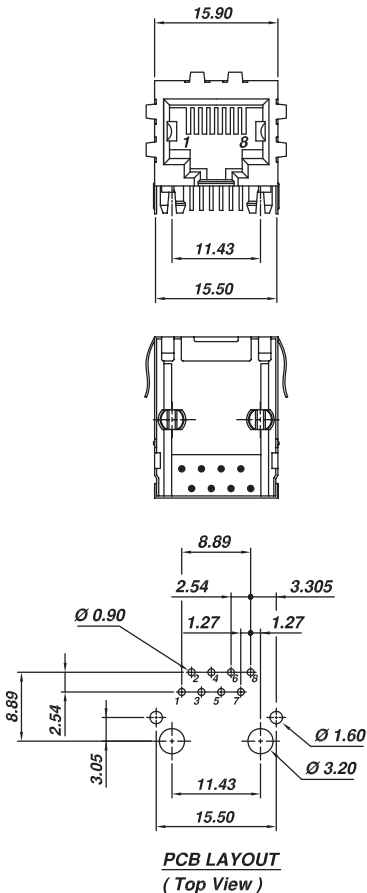
### AJ-007SH-6-X-XX-B1-N5

B=6p2c, C=6p4c  
D=6p6c

L=PBT Glass Filled  
R=Nylon

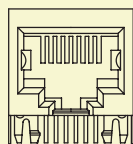
Gold plated  
1=15u, 4= 6 u  
2=30u, 5= 2-3u  
3=50u, 6= Flash

## AJ-008SH (8P) Round Contacts AJ-009SH (8P) Flat Contacts

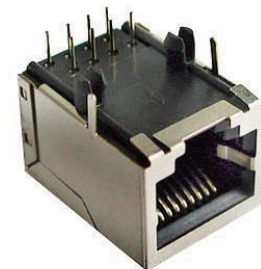


### AJ-008SH-8-F-XX-B1-N1

(Without Panel Ground)



## UL 9638-S Series



### AJ-008SH-8-F-XX-B1-N5

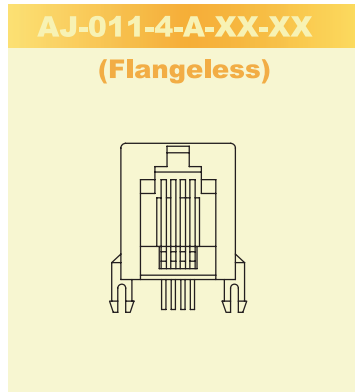
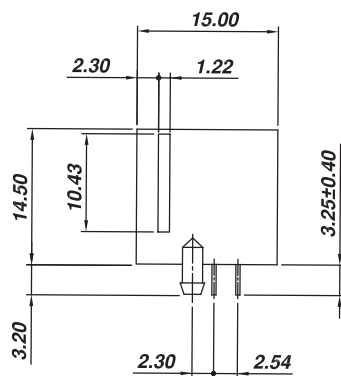
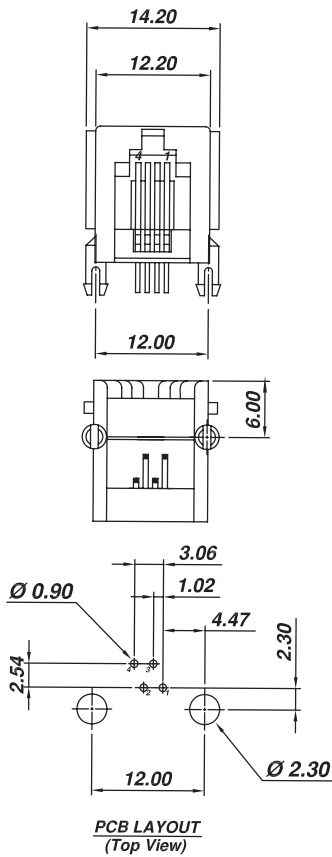
F=8p8c

L=PBT Glass Filled  
R=Nylon

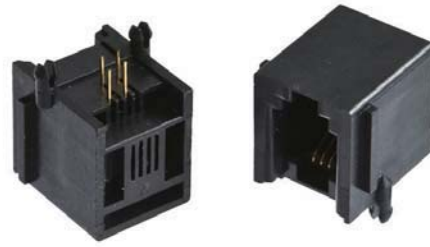
Gold plated  
1=15u, 4= 6 u  
2=30u, 5= 2-3u  
3=50u, 6= Flash

# Single Jack

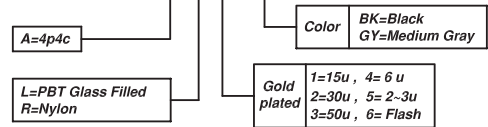
## AJ-010 (4P)



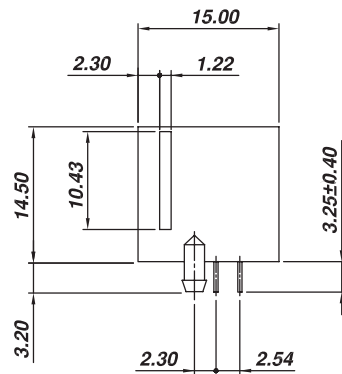
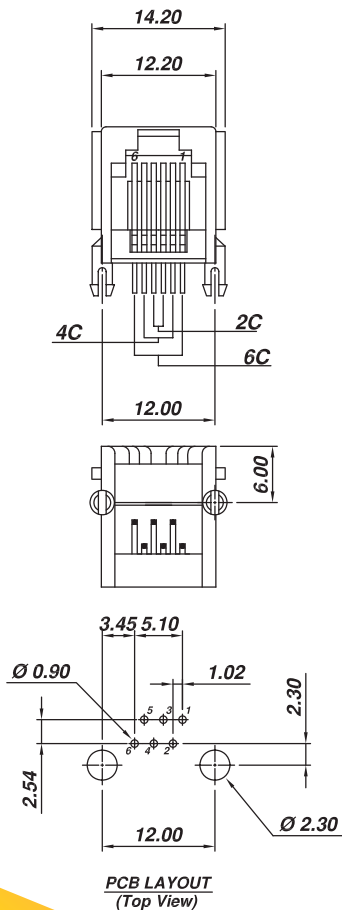
## UL 9604 Series



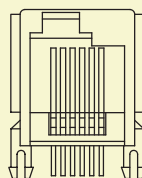
### AJ-010-4-A-XX-XX



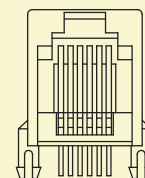
## AJ-010 (6P)



**AJ-010-6-X-XX-XX-DEC**  
(Declination)



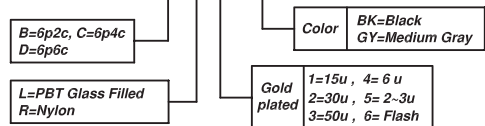
**AJ-011-6-X-XX-XX**  
(Flangeless)



## UL 9606 Series

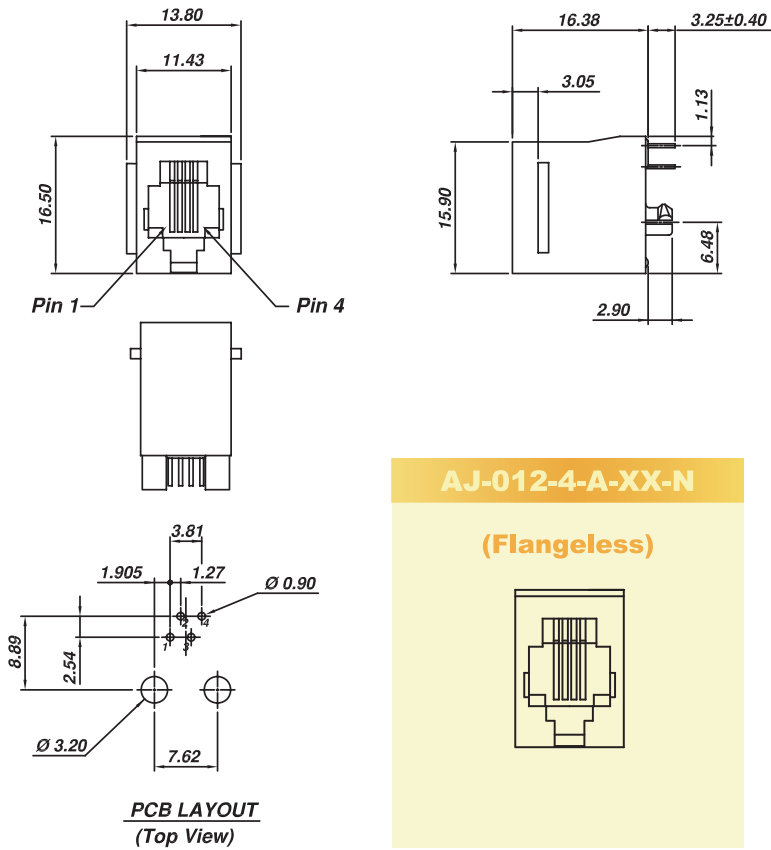


### AJ-010-6-X-XX-XX



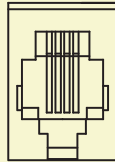
## AJ-012-4 (4P)

### UL 9605 Series



### AJ-012-4-A-XX-N

(Flangeless)



### AJ-012-4-A-XX

A=4p4c

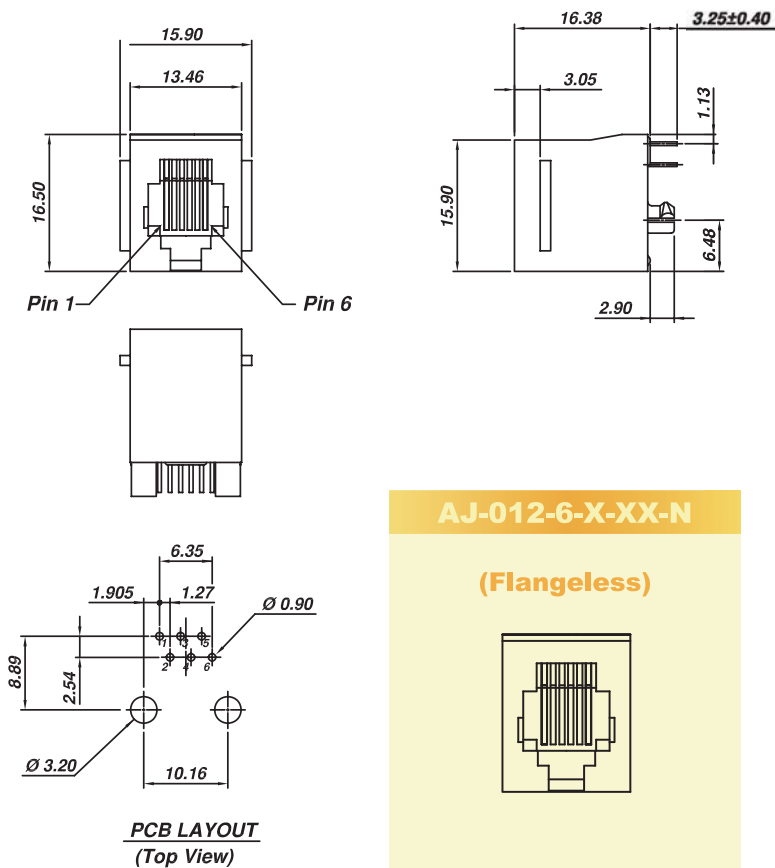
L=PBT Glass Filled  
R=Nylon

Gold plated

1=15u, 4= 6 u  
2=30u, 5= 2-3u  
3=50u, 6= Flash

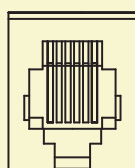
## AJ-012-6 (6P)

### UL 9607 Series



### AJ-012-6-X-XX-N

(Flangeless)



### AJ-012-6-X-XX

B=6p2c, C=6p4c  
D=6p6c

L=PBT Glass Filled  
R=Nylon

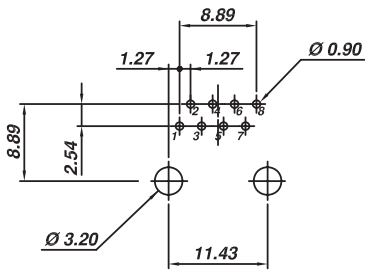
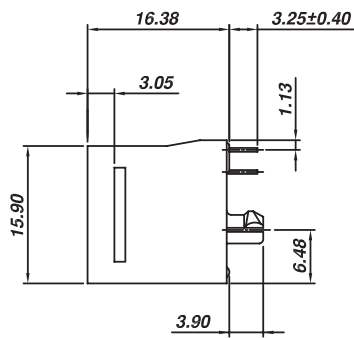
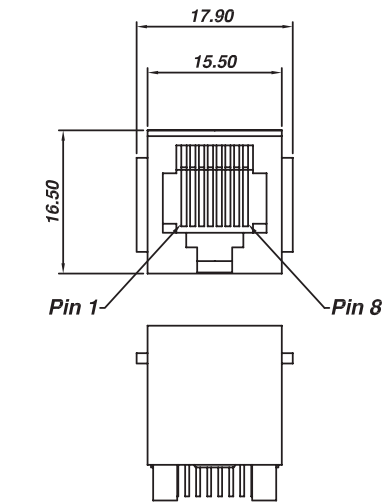
Gold plated

1=15u, 4= 6 u  
2=30u, 5= 2-3u  
3=50u, 6= Flash



# Single Jack

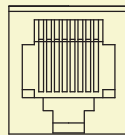
## AJ-012-8 (8P)



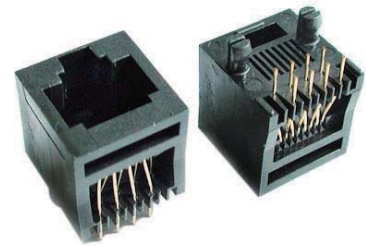
PCB LAYOUT  
(Top View)

### AJ-012-8-F-XX-N

(Flangeless)



## UL 9628 Series



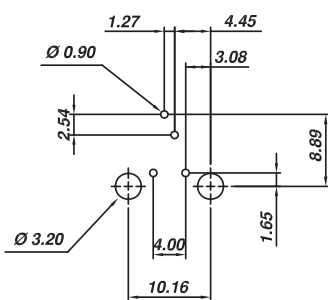
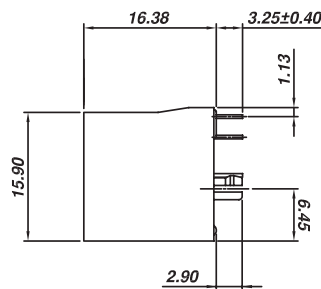
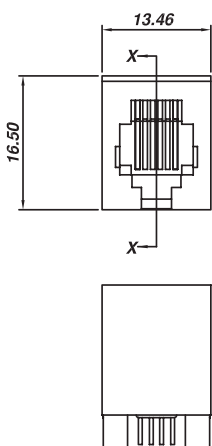
### AJ-012-8-F-XX

F=8p8c

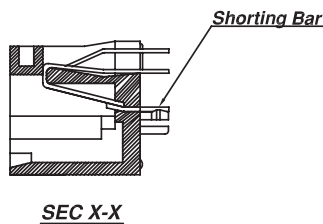
L=PBT Glass Filled  
R=Nylon

Gold plated 1=15u, 4= 6 u  
2=30u, 5= 2-3u  
3=50u, 6= Flash

## AJ-013-6 (6P)



PCB LAYOUT  
(Top View)



## UL 9607 Series



### AJ-013-6-B-XX-N

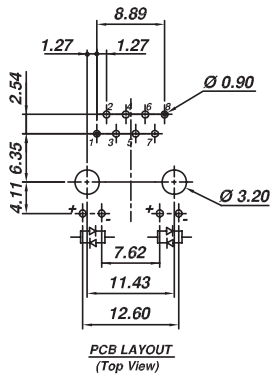
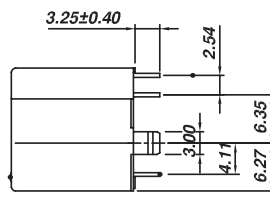
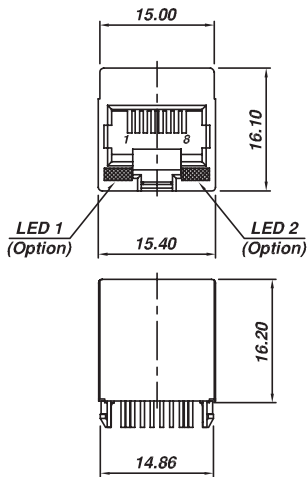
B=6p2c

L=PBT Glass Filled  
R=Nylon

Gold plated 1=15u, 4= 6 u  
2=30u, 5= 2-3u  
3=50u, 6= Flash

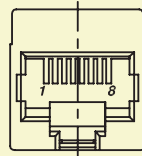


## AJ-012-9 (8P) Flat Contacts



### AJ-012-9-F-XX

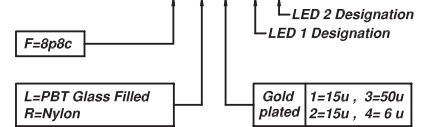
(Without LED)



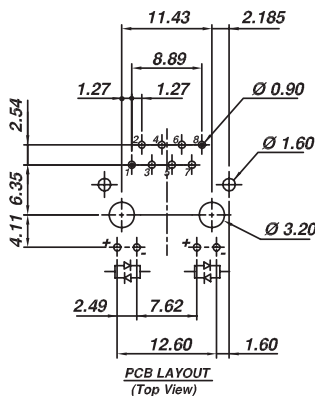
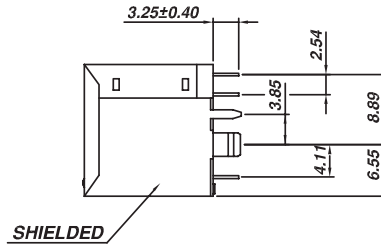
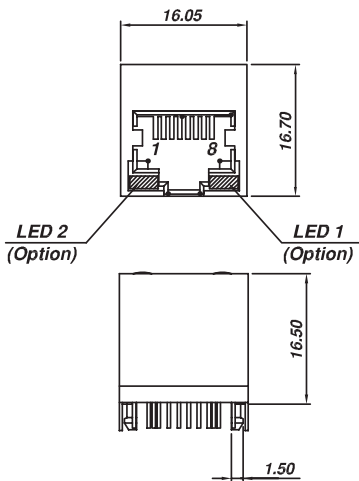
## UL 9628 Series



### AJ-012-9-F-XX-XX

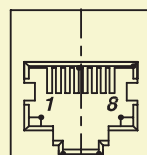


## AJ-012SH-9 (8P) Flat Contacts



### AJ-012SH-9-F-XX-B5-M1

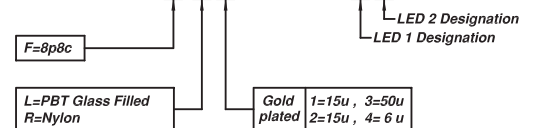
(Without LED)



## UL 9628-S Series

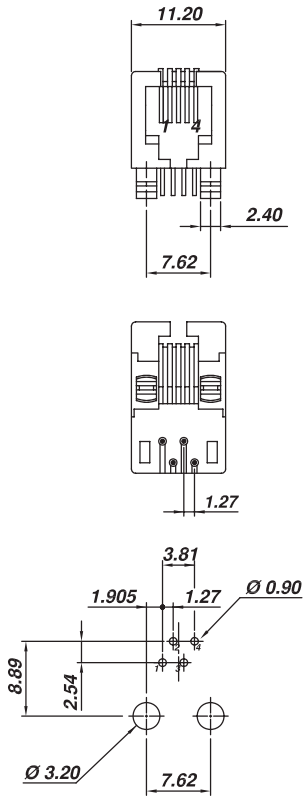


### AJ-012SH-9-F-XX-B5-M1-XX



# Single Jack

## AJ-019-4 (4P)



**PCB LAYOUT**  
(Top View)

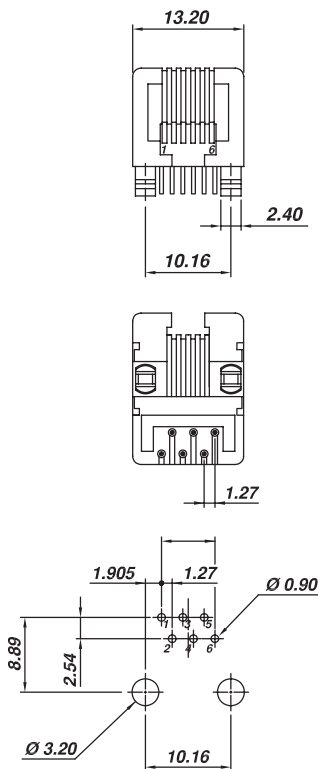
## UL 9694 Series



### AJ-019-4-A-XX

A=4p4c	Gold plated	1=15u, 4= 6 u
L=PBT Glass Filled R=Nylon		2=30u, 5= 2-3u 3=50u, 6= Flash

## AJ-019-6 (6P)



**PCB LAYOUT**  
(Top View)

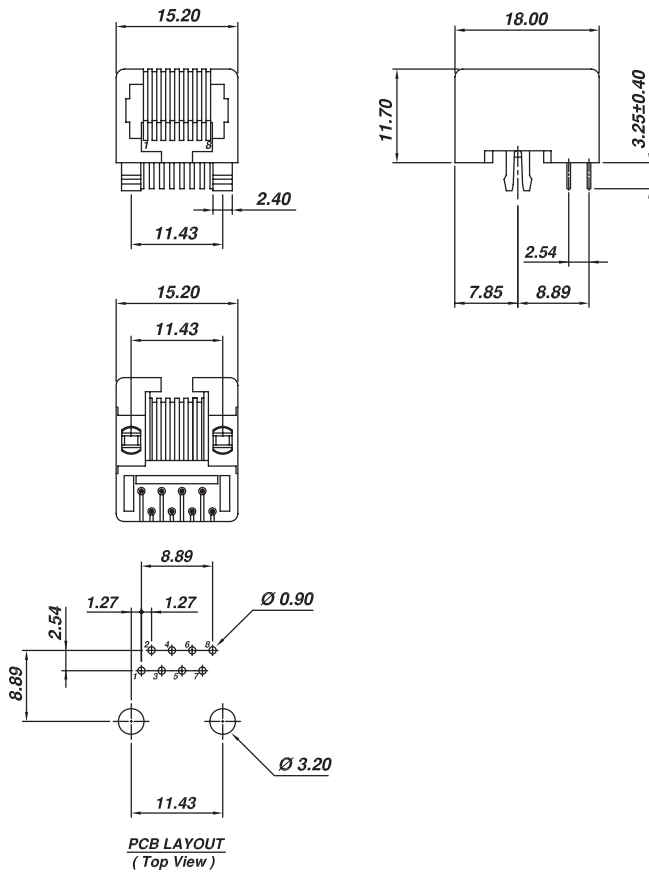
## UL 9695 Series



### AJ-019-6-X-XX

B=6p2c, C=6p4c D=6p6c	Gold plated	1=15u, 4= 6 u
L=PBT Glass Filled R=Nylon		2=30u, 5= 2-3u 3=50u, 6= Flash

## AJ-019-8 (8P)



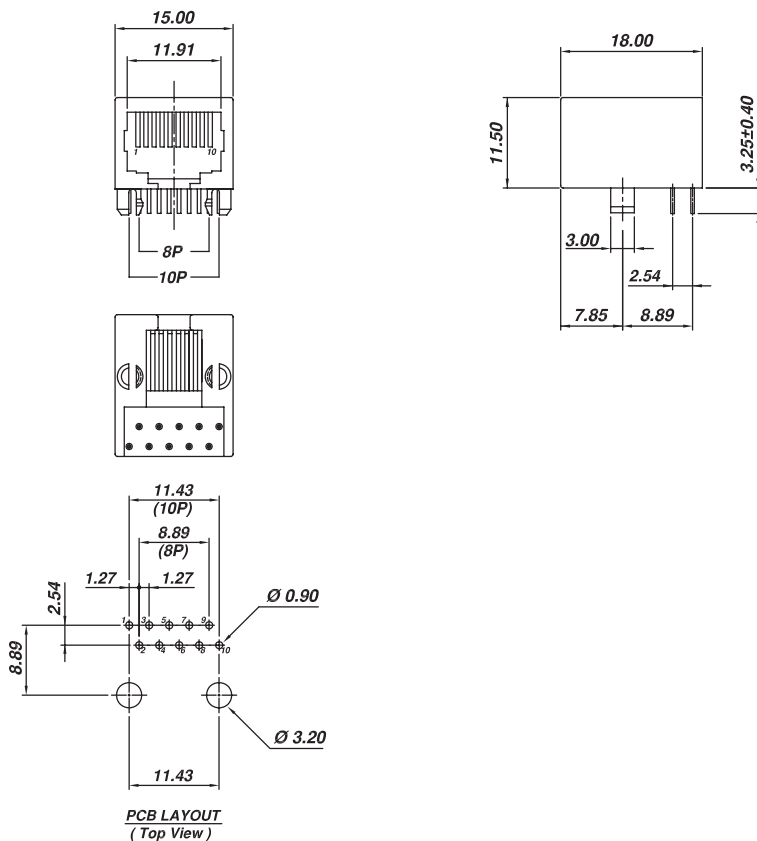
## UL 9698 Series



### AJ-019-8-F-XX

F=8p8c		
L=PBT Glass Filled		Gold plated
R=Nylon		1=15u, 4= 6 u 2=30u, 5= 2-3u 3=50u, 6= Flash

## AJ-019-9 (8P&10P) Round Contacts AJ-019-10 (8P&10P) Flat Contacts



## UL 9754 Series

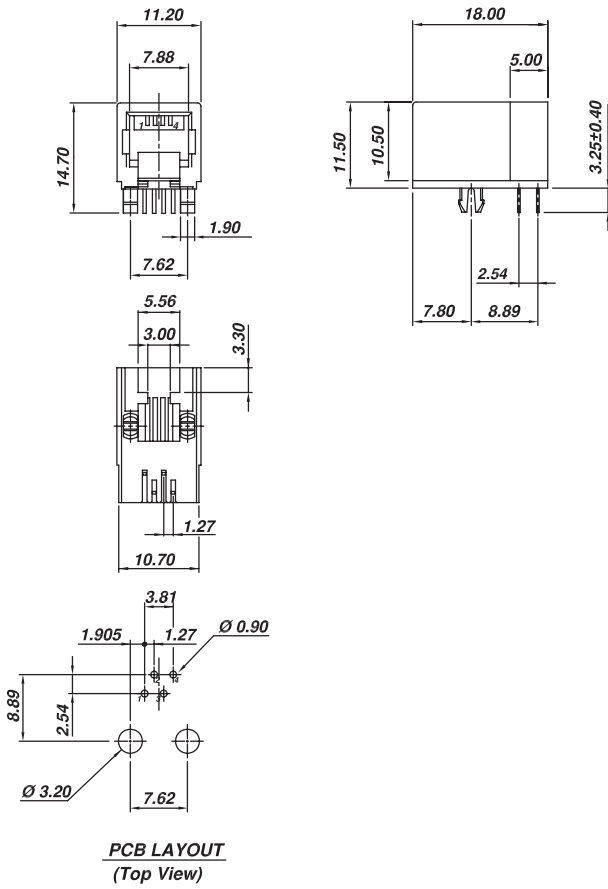


### AJ-019-9-X-XX

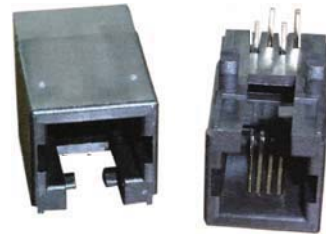
F=8p8c		
G=10p10c		
L=PBT Glass Filled		Gold plated
R=Nylon		1=15u, 4= 6 u 2=30u, 5= 2-3u 3=50u, 6= Flash

# Single Jack

## AJ-021-4 (4P)



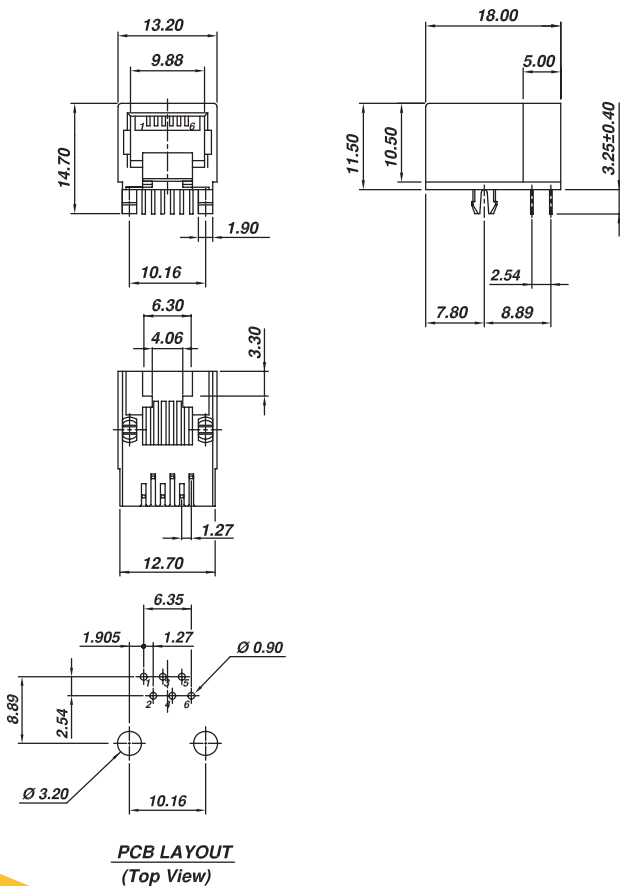
### UL 9721-4 Series



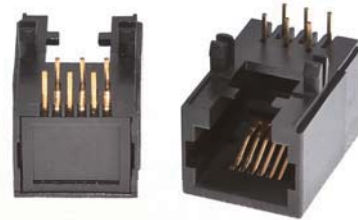
#### AJ-021-4-A-XX

A=4p4c	Gold plated	1=15u, 3=50u 2=15u, 4=6u
L=PBT Glass Filled R=Nylon		

## AJ-021-6 (6P)



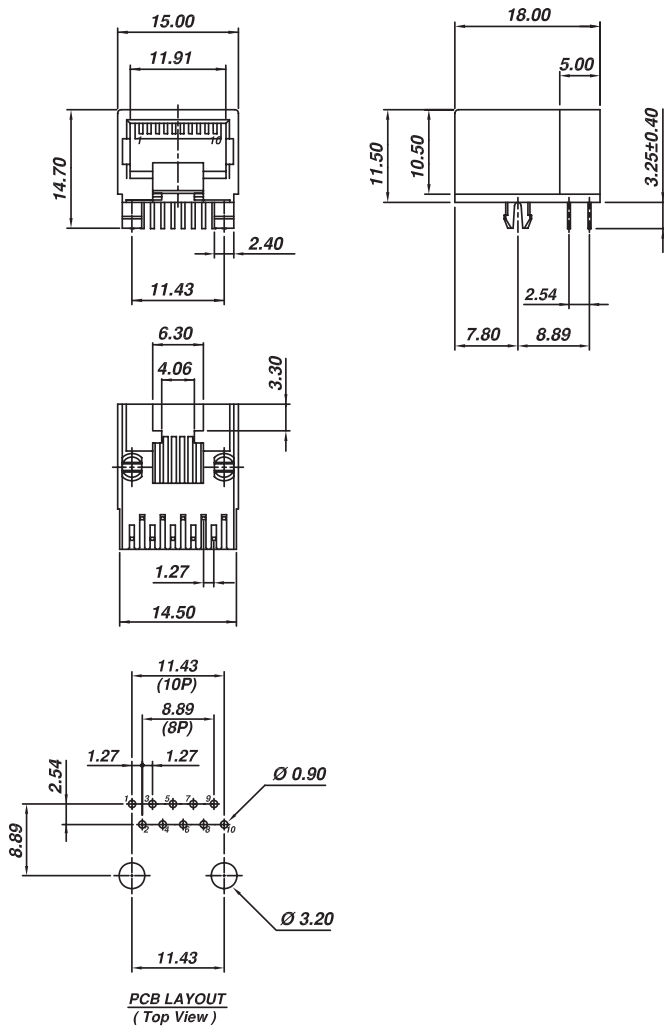
### UL 9721-6 Series



#### AJ-021-6-X-XX

B=6p2c, C=6p4c D=6p6c	Gold plated	1=15u, 3=50u 2=15u, 4=6u
L=PBT Glass Filled R=Nylon		

## AJ-021 (8P&10P)



### UL 9721-10 Series



### AJ-021-10-X-XX

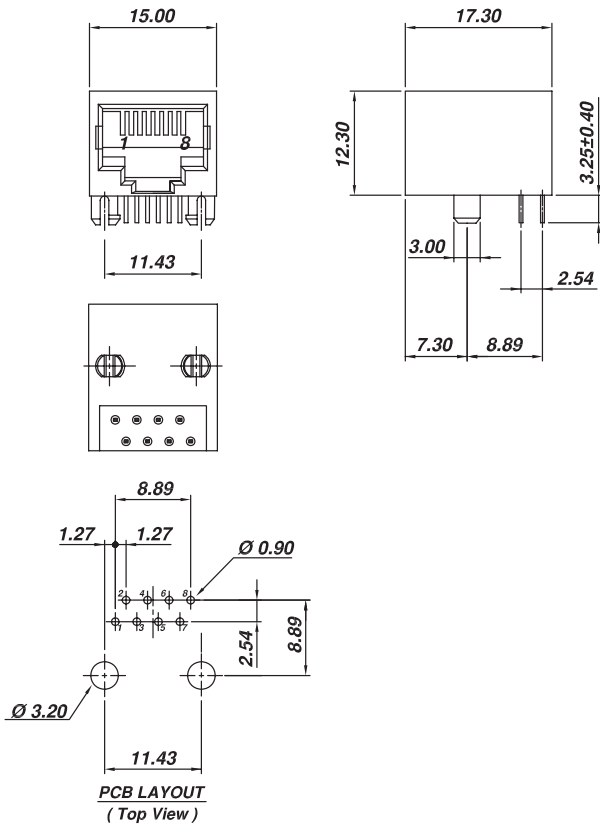
F=8p8c  
G=10p10c

L=PBT Glass Filled  
R=Nylon

Gold plated 1=15u, 3=50u  
2=15u, 4= 6 u

# Single Jack

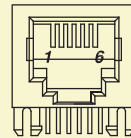
## AJ-022(8P & 10P) Flat Contacts AJ-032(8P & 10P) Round Contacts



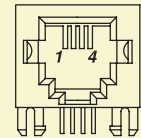
### UL 9632 Series



#### AJ-022-6-X-XX(6P)



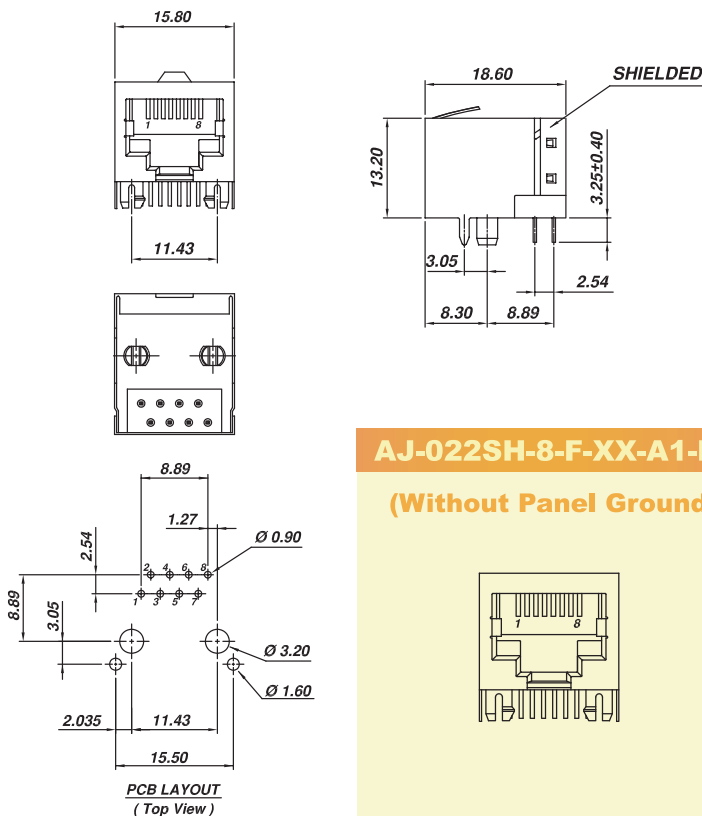
#### AJ-022-4-A-XX(4P)



#### AJ-022-8-F-XX

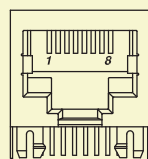


## AJ-022SH (8P & 10P) Flat Contacts AJ-032SH (8P & 10P) Round Contacts



#### AJ-022SH-8-F-XX-A1-N1

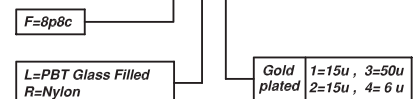
(Without Panel Ground)



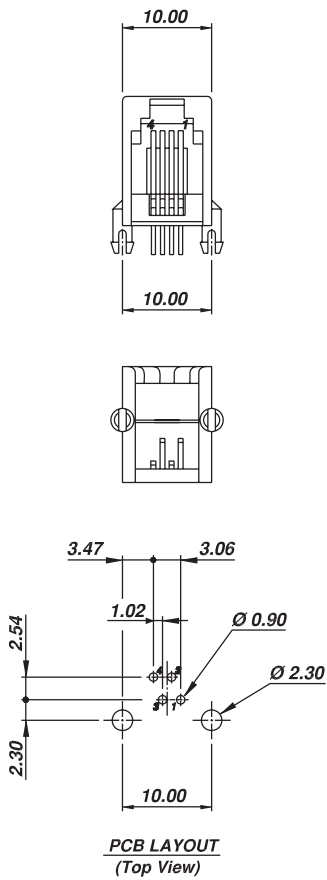
### UL 9632S Series



#### AJ-022SH-8-F-XX-A1-N2



## AJ-026 (4P)



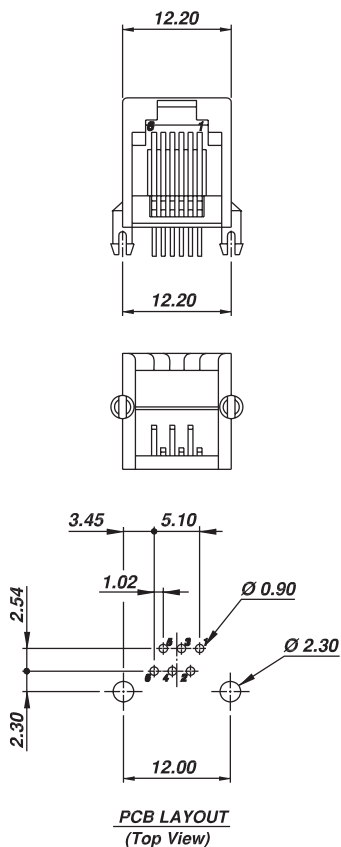
## UL 9611 Series



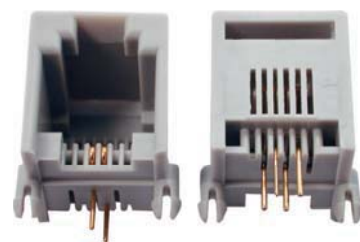
### AJ-026-4-A-XX-XX

A=4p4c	Color	BK=Black GY=Medium Gray
L=PBT Glass Filled R=Nylon	Gold plated	1=15u, 4= 6 u 2=30u, 5= 2-3u 3=50u, 6= Flash

## AJ-026 (6P)



## UL 9612 Series

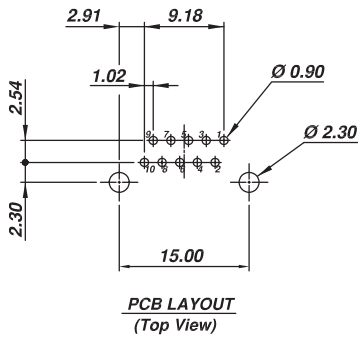
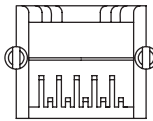
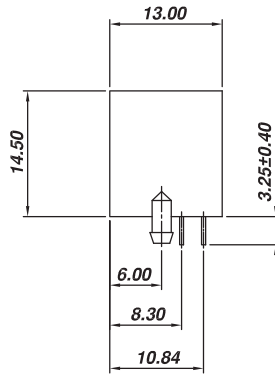
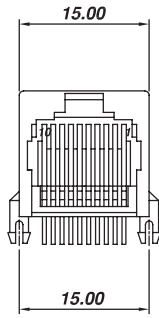


### AJ-026-6-X-XX-XX

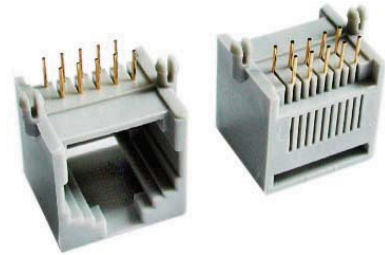
B=6p2c, C=6p4c D=6p6c	Color	BK=Black GY=Medium Gray
L=PBT Glass Filled R=Nylon	Gold plated	1=15u, 4= 6 u 2=30u, 5= 2-3u 3=50u, 6= Flash

# Single Jack

## AJ-026 (8P&10p)



### UL 9619 Series



### AJ-026-10-X-XX-XX

F=8p8c  
G=10p10c

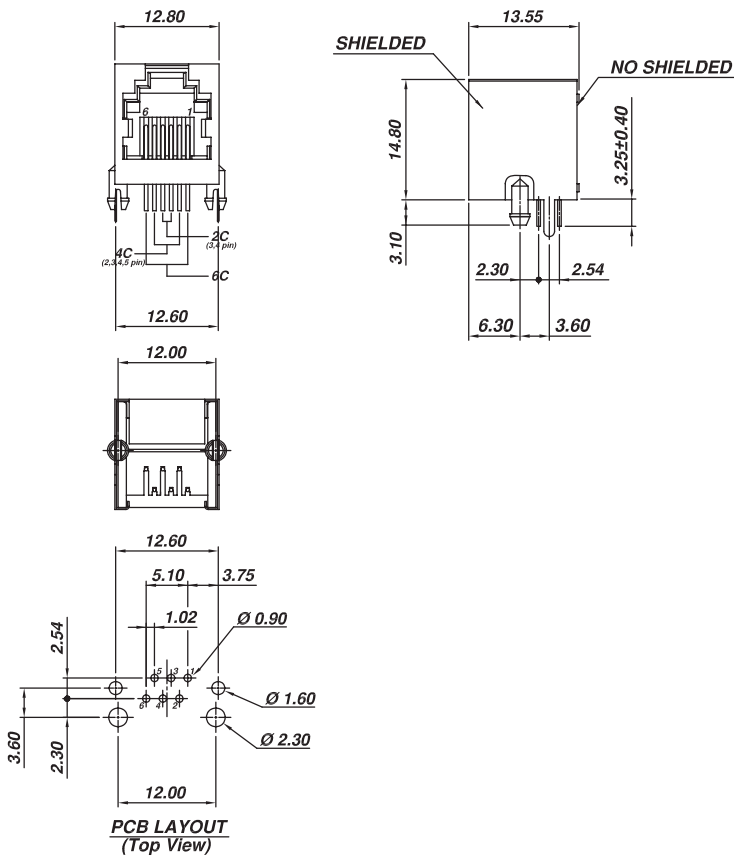
L=PBT Glass Filled  
R=Nylon

Color BK=Black  
GY=Medium Gray

Gold plated  
1=15u, 4= 6 u  
2=30u, 5= 2-3u  
3=50u, 6= Flash



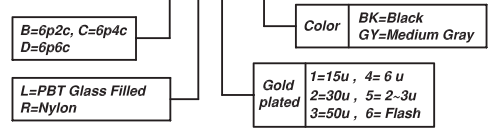
## AJ-026SH (6P)



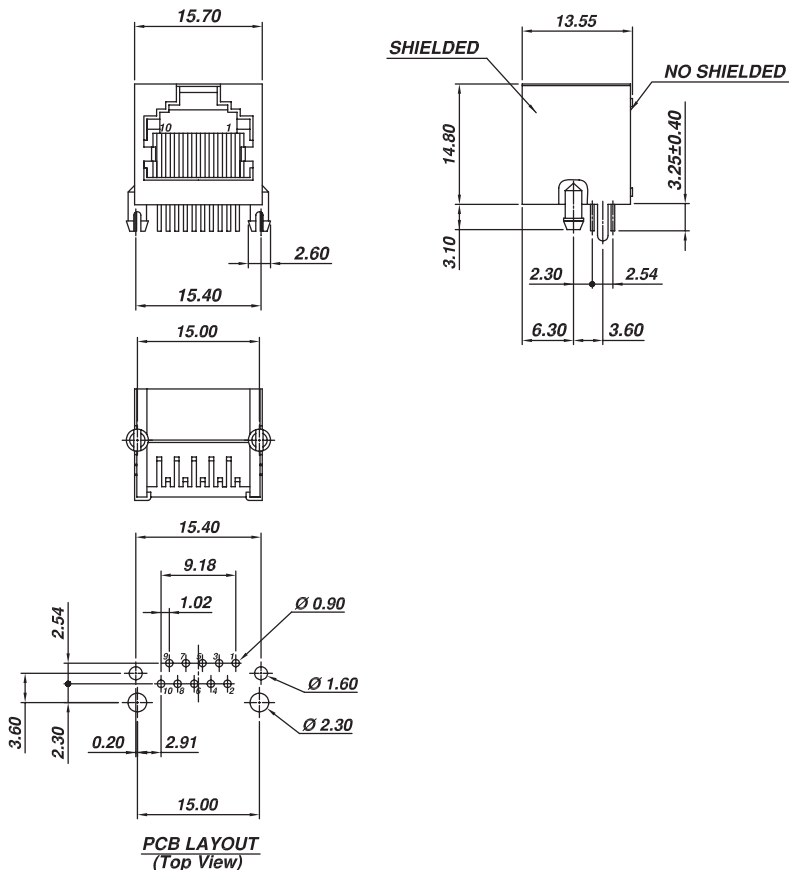
## UL 9619-S Series



### AJ-026SH-6-X-XX-XX



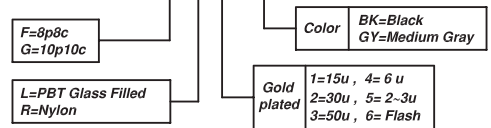
## AJ-026SH (8P & 10P)



## UL 9619-S Series

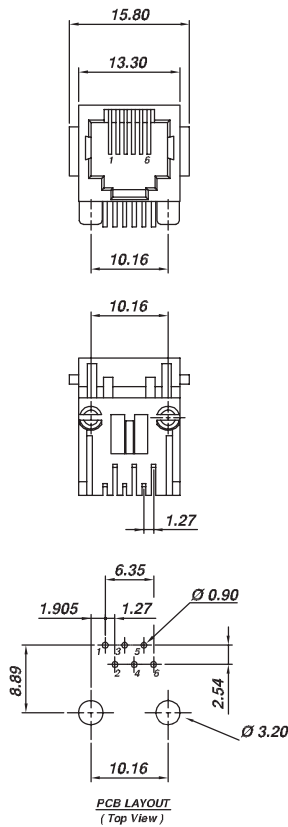


### AJ-026SH-10-X-XX-XX



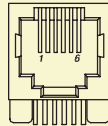
# Single Jack

## AJ-031 (6P)



### AJ-031-6-X-XX-N

(Flangeless)



## UL 9631-6 Series



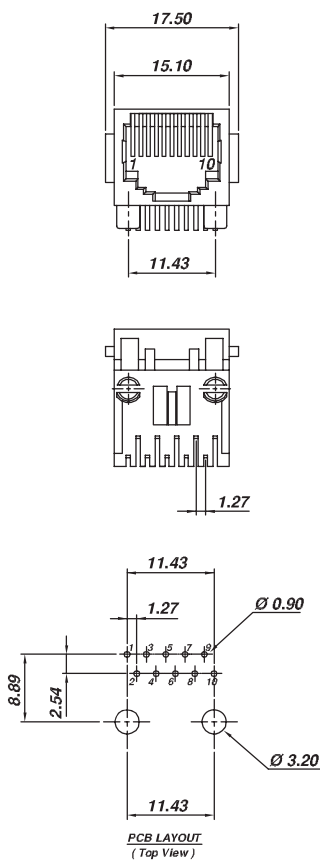
### AJ-031-6-X-XX

B=6p2c, C=6p4c  
D=6p6c

L=PBT Glass Filled  
R=Nylon

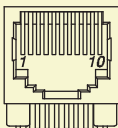
Gold plated 1=15u, 3=50u  
2=15u, 4=6u

## AJ-031 (8P & 10P)



### AJ-031-10-X-XX-N

(Flangeless)



## UL 9631 Series



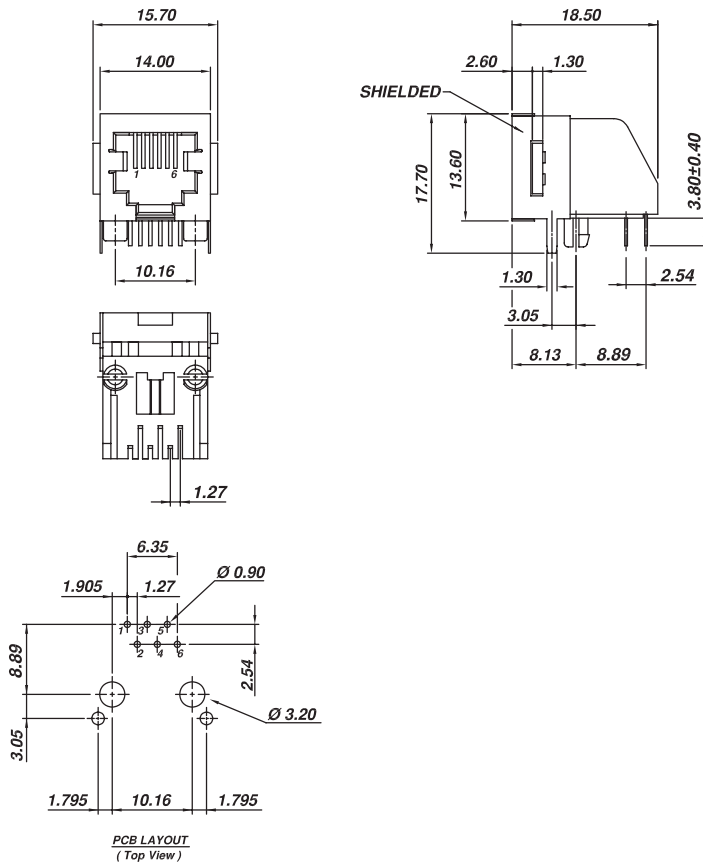
### AJ-031-10-X-XX

F=8p8c  
G=10p10c

L=PBT Glass Filled  
R=Nylon

Gold plated 1=15u, 3=50u  
2=15u, 4=6u

## AJ-031SH (6P)



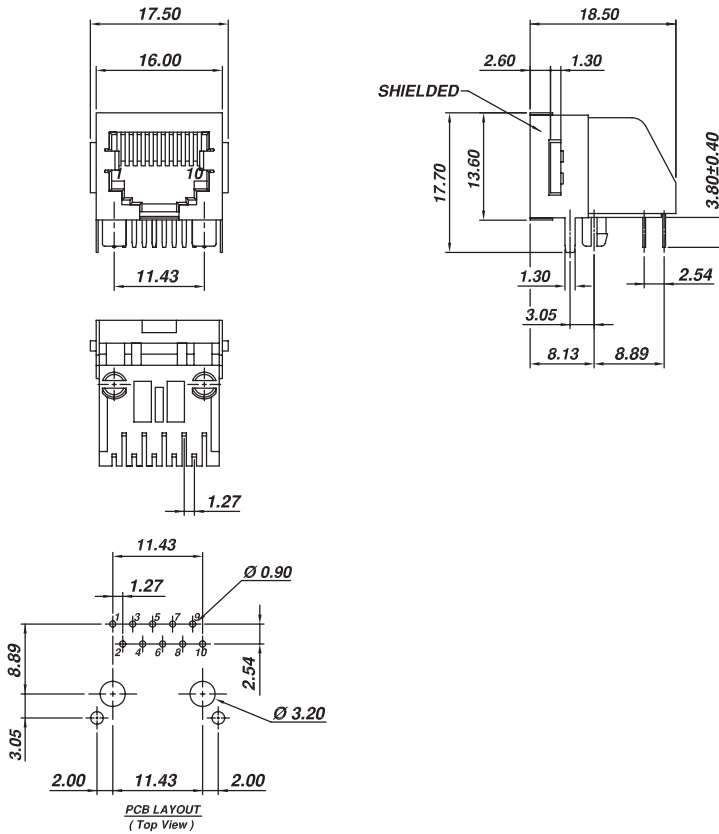
## UL 9631-S6 Series



### AJ-031SH-6-X-XX

B=6p2c, C=6p4c D=6p6c	Gold plated	1=15u, 3=50u 2=15u, 4=6u
L=PBT Glass Filled R=Nylon		

## AJ-031SH (8P&10P)



## UL 9631-S Series

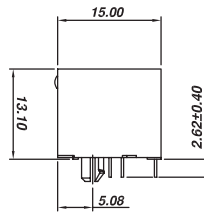
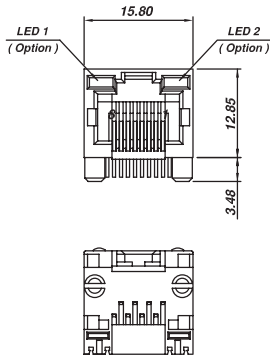


### AJ-031SH-10-X-XX

F=8p8c G=10p10c	Gold plated	1=15u, 3=50u 2=15u, 4=6u
L=PBT Glass Filled R=Nylon		

# Single Jack

## AJ-068 (8P)

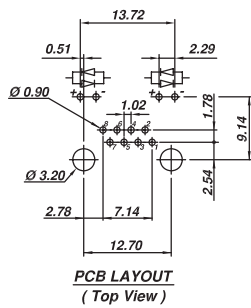
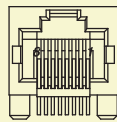


### UL 9768-8L Series

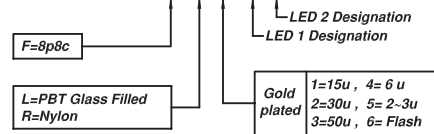


### AJ-068-8-F-XX

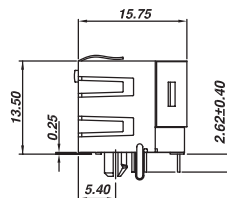
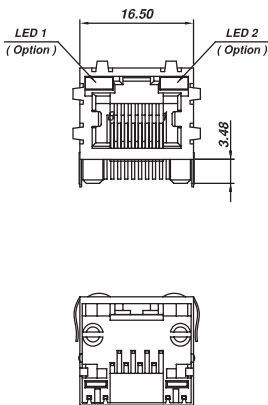
(Without LED)



### AJ-068-8-F-XX-XX



## AJ-068SH (8P)

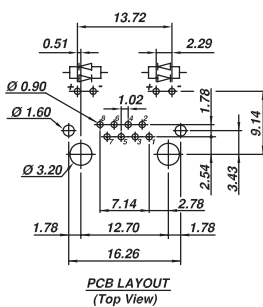
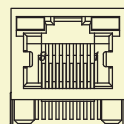


### UL 9768S-8L Series



### AJ-068SH-8-F-XX-B4-N1-XX

(Without Panel Ground)



### AJ-068SH-8-F-XX-B4-N4-XX

