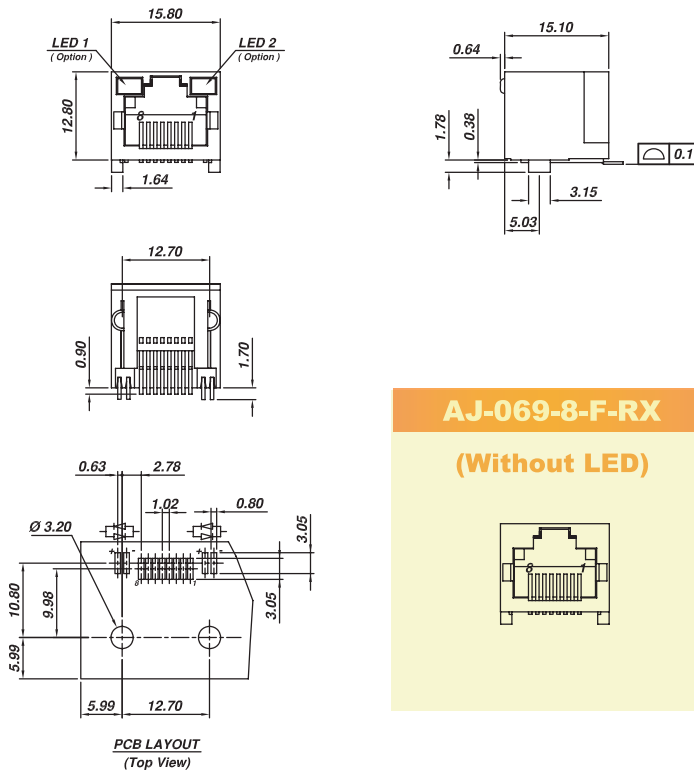
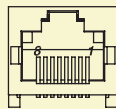


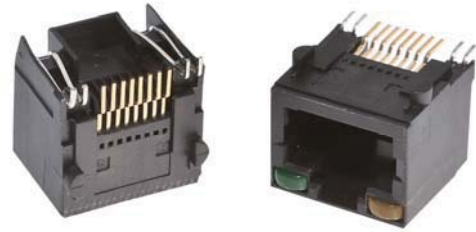
## AJ-069 (8P)



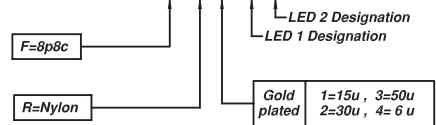
### AJ-069-8-F-RX (Without LED)



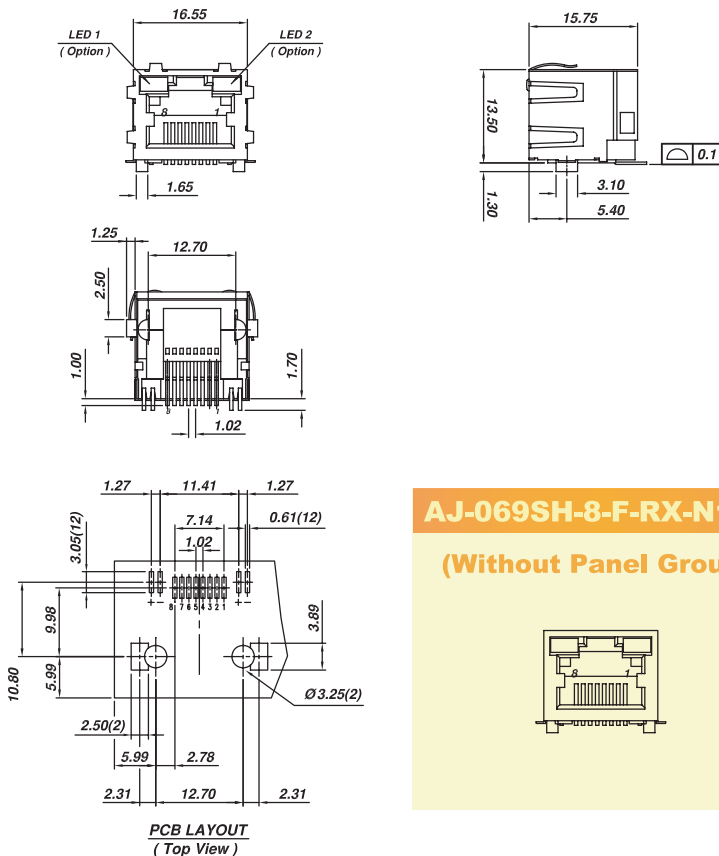
## UL 9769S-8L Series



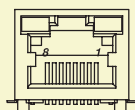
### AJ-069-8-F-RX-XX



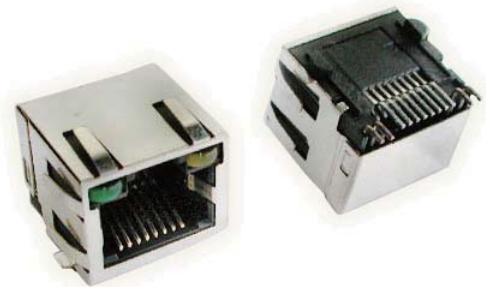
## AJ-069SH (8P)



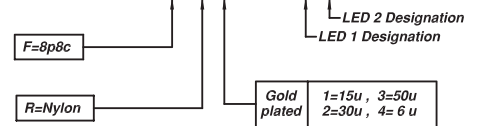
### AJ-069SH-8-F-RX-N1-XX (Without Panel Ground)



## UL 9769S-8L Series

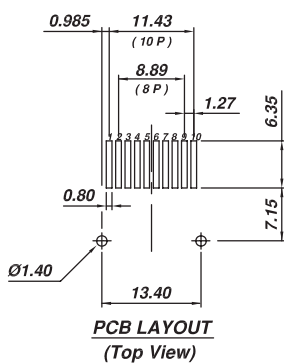
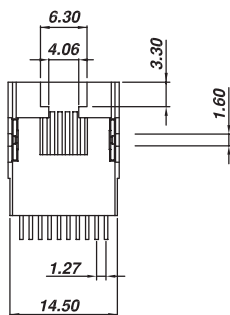
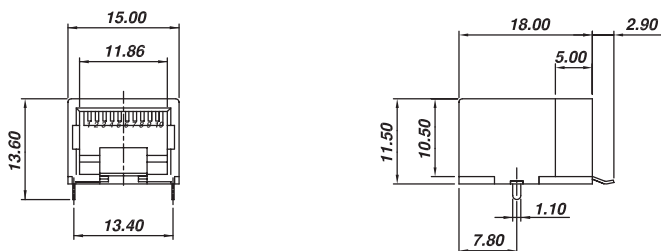


### AJ-069SH-8-F-RX-N4-XX

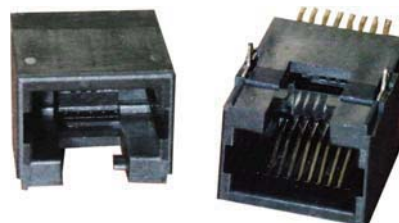




## AJ-021-1SMD (8P&10P)



## UL 9721-1SMD-10 Series

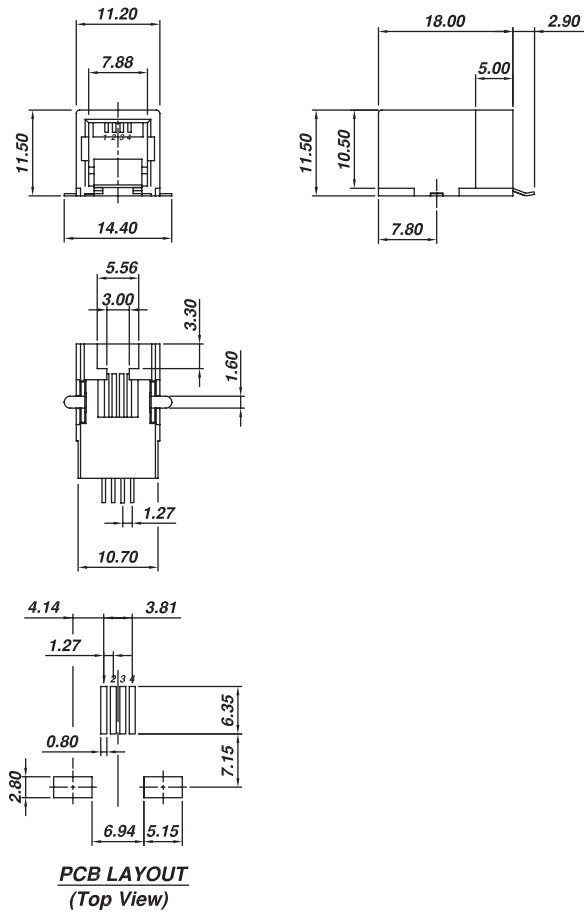


## AJ-021-1SMD-10-X-RX

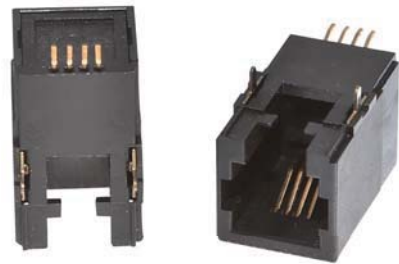


# SMD Jack

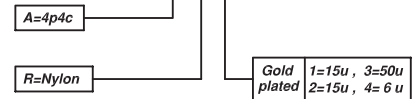
## AJ-021-2SMD-4 (4P)



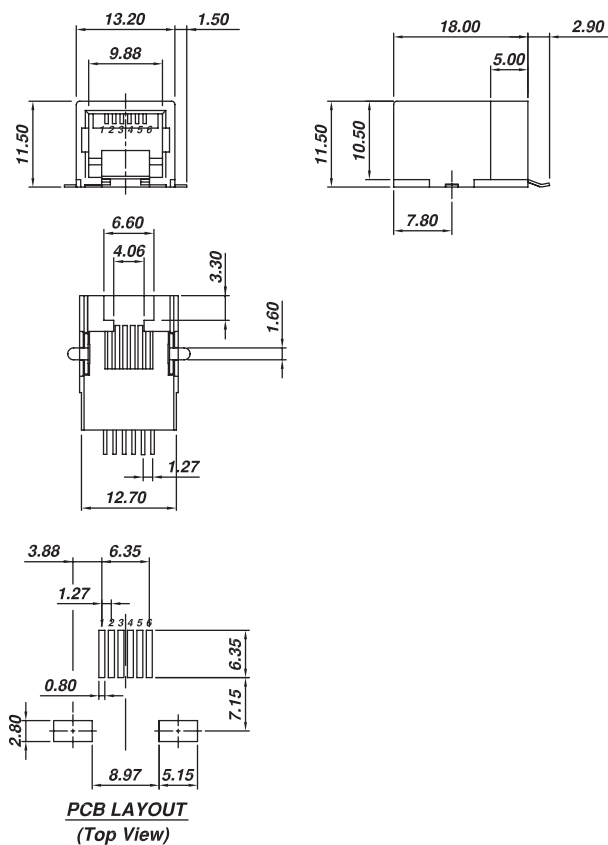
## UL 9721-2SMD-4 Series



### AJ-021-2SMD-4-A-RX



## AJ-021-2SMD-6 (6P)



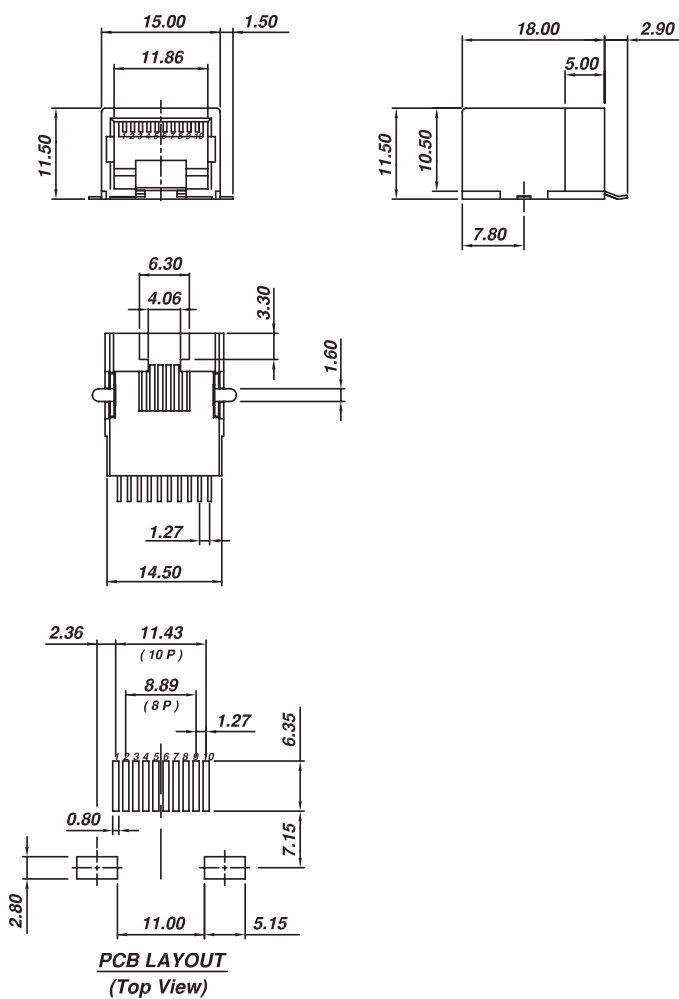
## UL 9721-2SMD-6 Series



### AJ-021-2SMD-6-X-RX



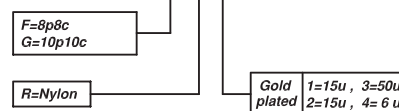
## AJ-021-2SMD (8P&10P)



## UL 9721-2SMD-10 Series

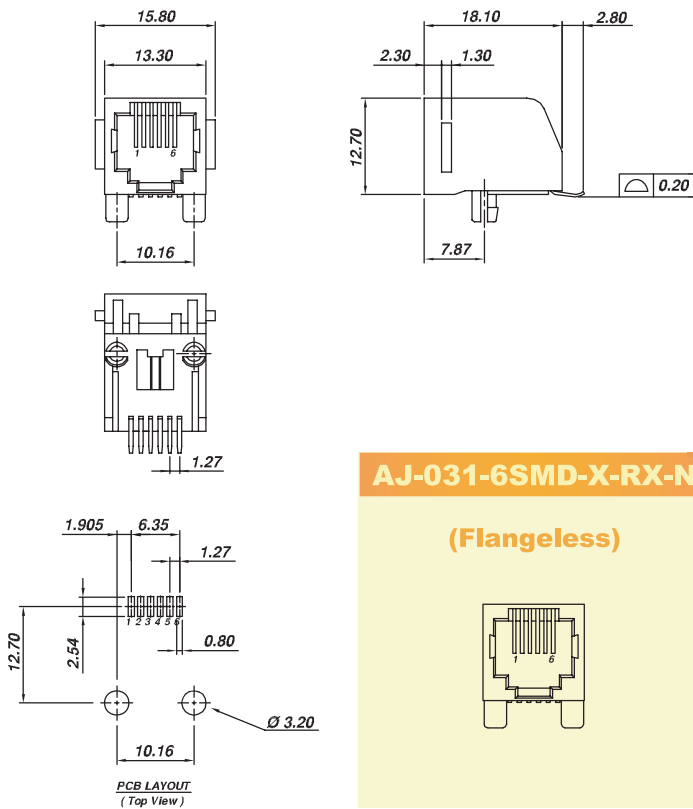


### AJ-021-2SMD-10-X-RX



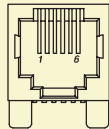
# SMD Jack

## AJ-031-6SMD (6P)



### AJ-031-6SMD-X-RX-N

(Flangeless)



## UL 9631-6SMD Series



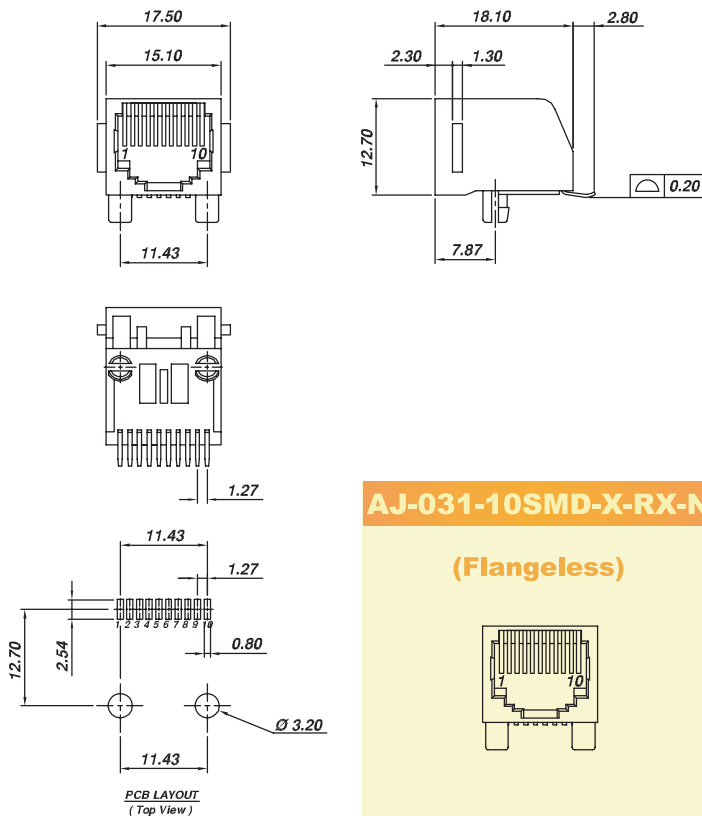
### AJ-031-6SMD-X-RX

B=6p2c, C=6p4c  
D=6p6c

R=Nylon

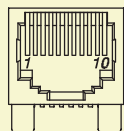
Gold plated 1=15u, 3=50u  
2=15u, 4=6u

## AJ-031-10SMD (8P & 10P)

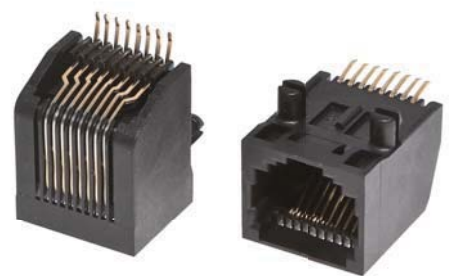


### AJ-031-10SMD-X-RX-N

(Flangeless)



## UL 9631-8SMD Series



### AJ-031-10SMD-X-RX

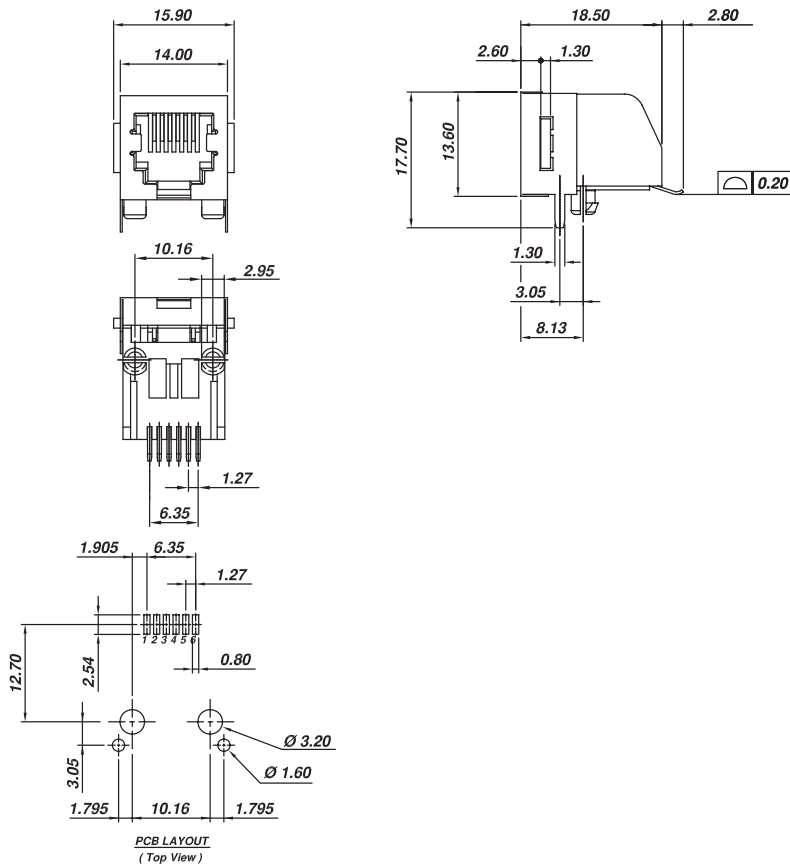
F=8p8c

G=10p10c

R=Nylon

Gold plated 1=15u, 3=50u  
2=15u, 4=6u

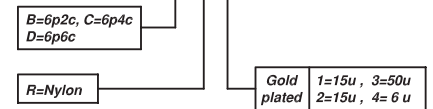
## AJ-031 (6P) Flat Contacts



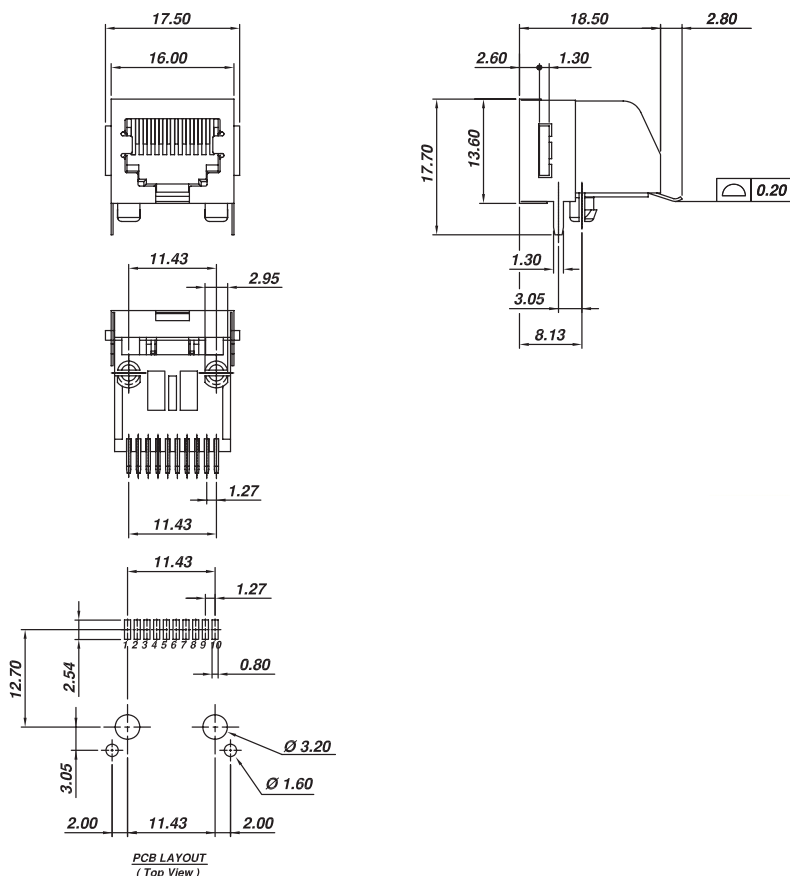
## UL 9631S-6-SMD Series



### AJ-031SH-6SMD-X-RX



## AJ-031 (8P & 10P) Flat Contacts



## UL 9631S-8-SMD Series

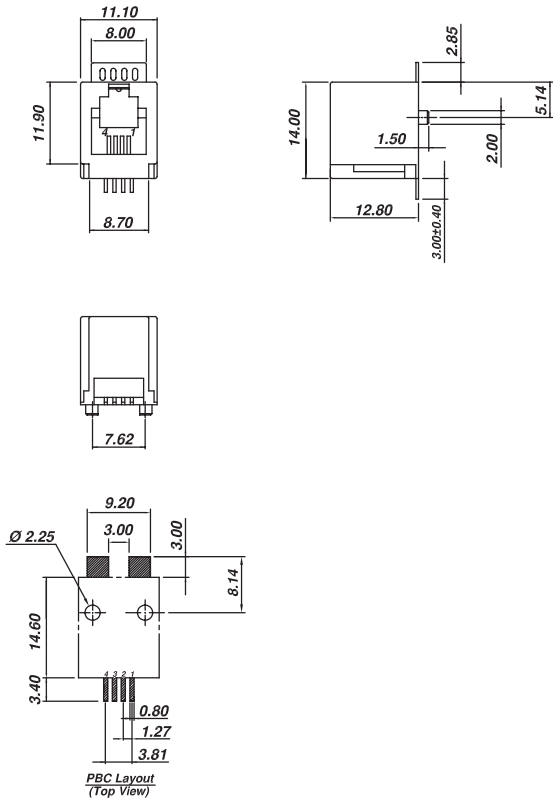


### AJ-031SH-10SMD-X-RX

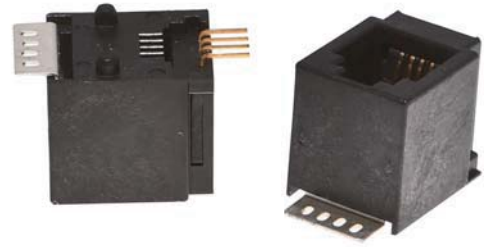


# SMD Jack

## AJ-072-4 (4P)



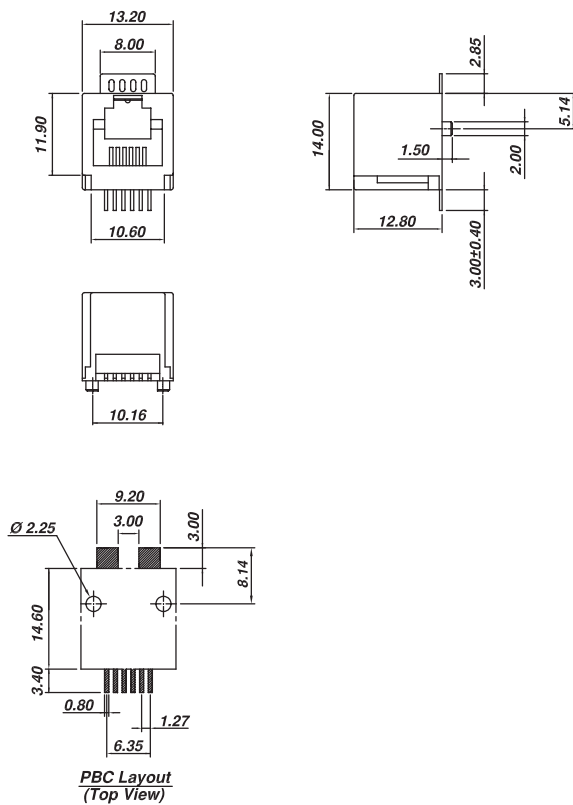
## UL 9739-4 Series



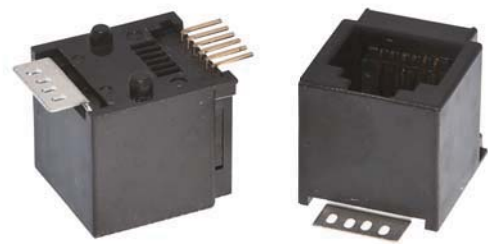
### AJ-072-4-A-RX



## AJ-072-6 (6P)



## UL 9739-6 Series

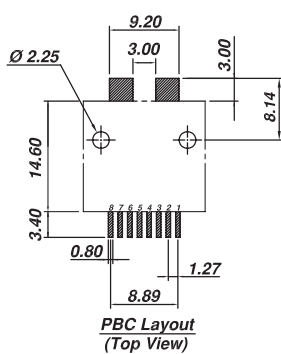
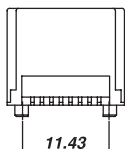
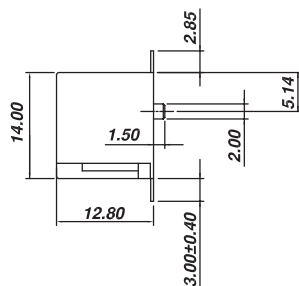
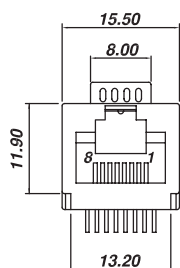


### AJ-072-6-X-RX

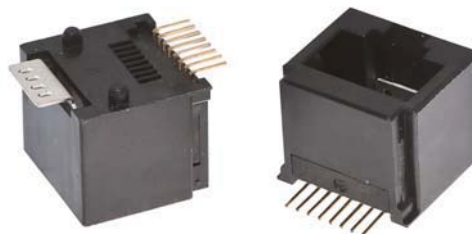




## AJ-072 (8P)



## UL 9739-8 Series



### AJ-072-8-F-RX

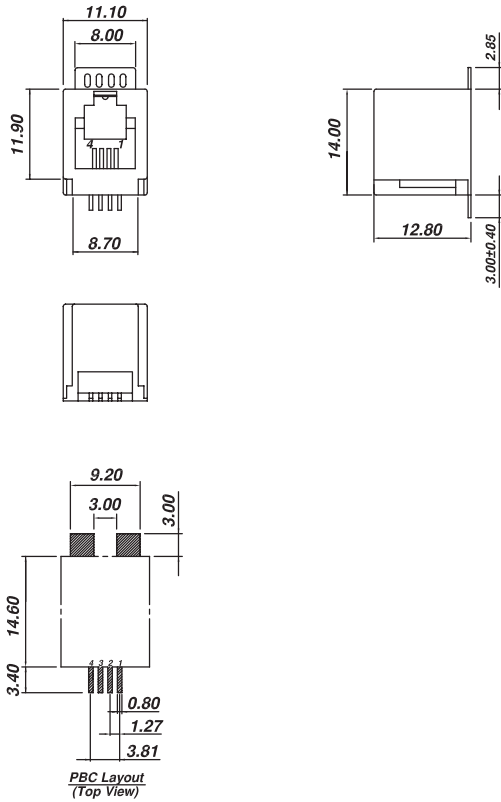
F=8p8c

R=Nylon

Gold plated  
1=15u, 3=50u  
2=15u, 4=6u

# SMD Jack

## AJ-073-4 (4P)



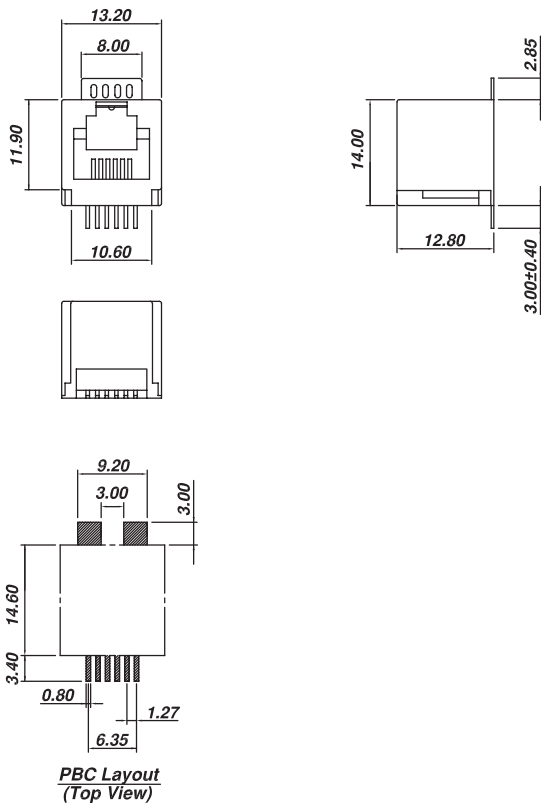
## UL 9738-4 Series



### AJ-073-4-A-RX



## AJ-073-6 (6P)



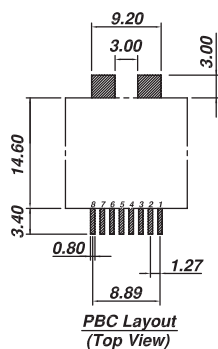
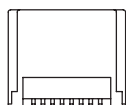
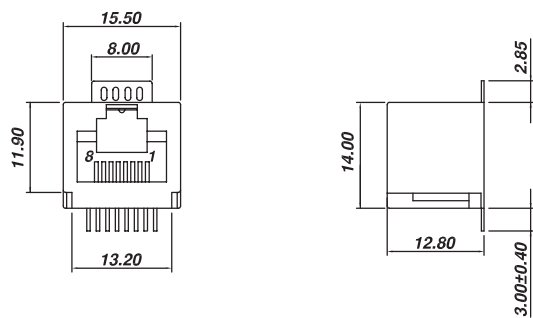
## UL 9738-6 Series



### AJ-073-6-X-RX



## AJ-073 (8P)



## UL 9738-8 Series



### AJ-073-8-F-RX

