

R-3016



Standard: IEC 60320 C14

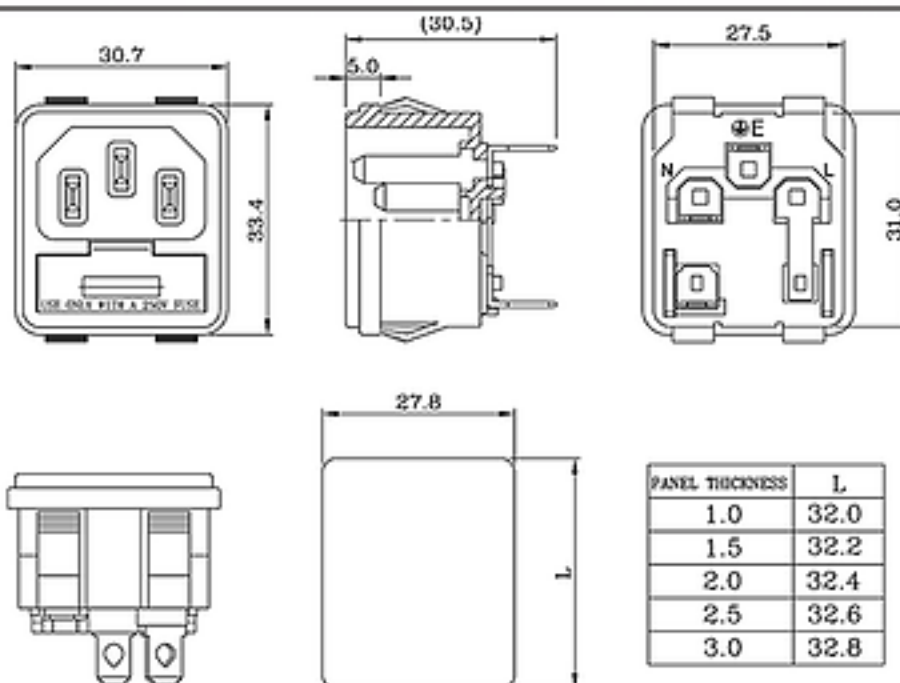
Rating: 15A 250V AC / 10A 250V AC

Insulation Resistance: 100M Ω 500V DC/1 minute

Dielectric Strength: 2000V AC/1 minute

Housing Material: Thermoplastic 94V-2~V-0

Dimensions



PANEL CUT OUT