
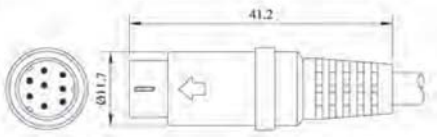

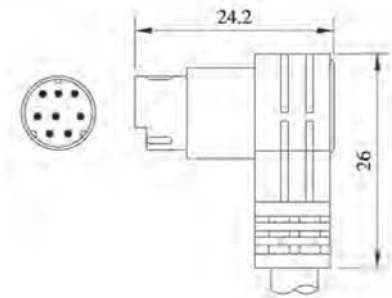

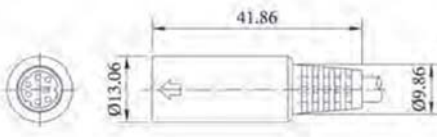


Molded Cable

Molded Mini Din Connector Cable

Specification

- 1.Current Carrying Capacity: 12V DC 2A Max.
- 2.Contact Resistance: 30mΩMax.
- 3.Insulation Resistance: DC 250V 50MΩMin.
- 4.Dielectric Strength: AC 250V 1 Minute


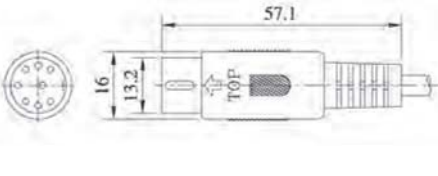

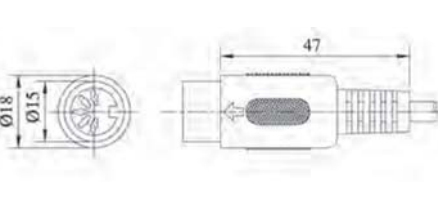

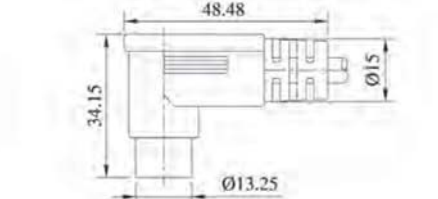

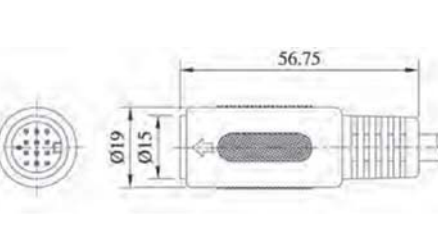
Figure	Drawing	Contact	Part No.
		3 4 5 6 7 8	UT-D009-3P UT-D009-4P UT-D009-5P UT-D009-6P UT-D009-7P UT-D009-8P
		3 4 5 6 7 8	UT-D012-3P UT-D012-4P UT-D012-5P UT-D012-6P UT-D012-7P UT-D012-8P
		3 4 5 6 7 8	UT-D034-3P UT-D034-4P UT-D034-5P UT-D034-6P UT-D034-7P UT-D034-8P

Molded Cable

Molded Din Connector Cable


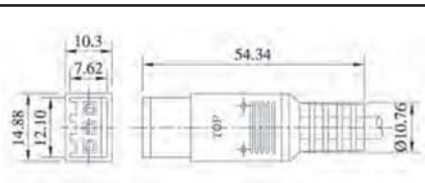

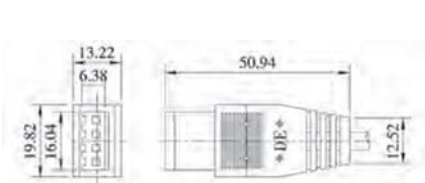

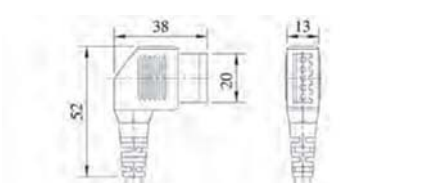

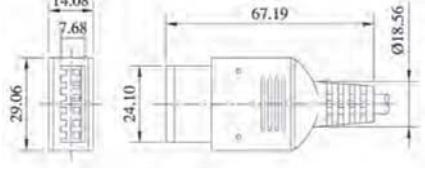

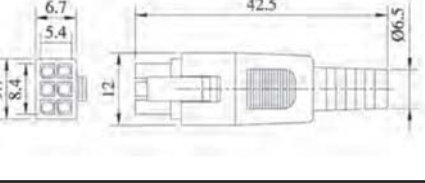

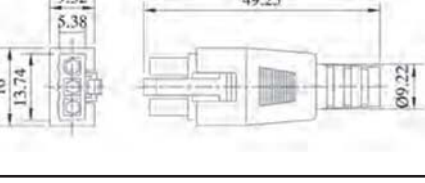

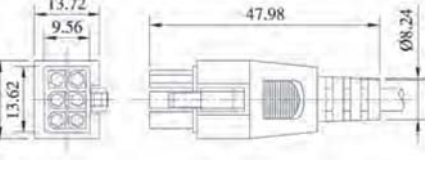
Specification for Din Connector

1. Current Carrying Capacity: 12V DC 2A or 100V AC 2A Max
2. Contact Resistance: 20mΩ Max.
3. Insulation Resistance: 100MΩ at DC 500V Min.
4. Dielectric Strength: AC 800V 1 Minute

Figure	Drawing	Contact	Part No.
		3 4 5 6 7 8 13	UT-D010-3P UT-D010-4P UT-D010-5P UT-D010-6P UT-D010-7P UT-D010-8P UT-D010-13P
		3 4 5 6 7 8 13	UT-D025-3P UT-D025-4P UT-D025-5P UT-D025-6P UT-D025-7P UT-D025-8P UT-D025-13P
		3 4 5 6 7 8 13	UT-D047-3P UT-D047-4P UT-D047-5P UT-D047-6P UT-D047-7P UT-D047-8P UT-D047-13P
		3 4 5 6 7 8 13	UT-D046-3P UT-D046-4P UT-D046-5P UT-D046-6P UT-D046-7P UT-D046-8P UT-D046-13P


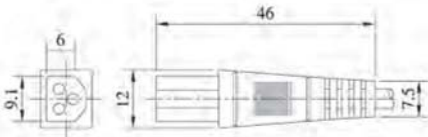

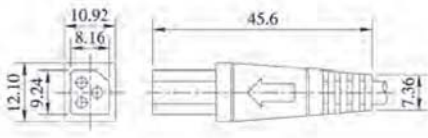

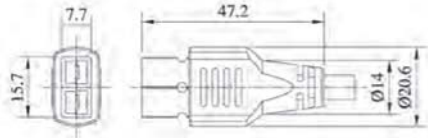

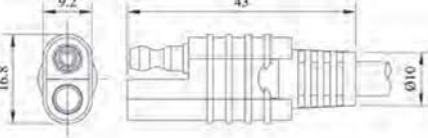

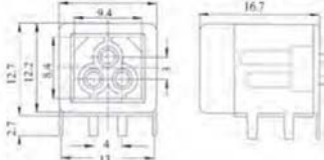

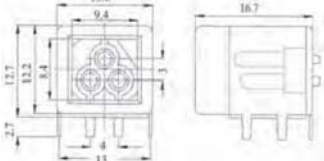

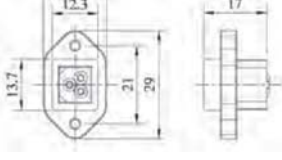

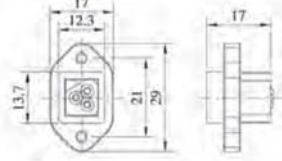
Housing Connector Molded Cable and Socket

Housing Connector Molded Cable

Figure	Drawing	Part No.	Specification
		UT-D021-3P pitch=3.96mm	1.Current rating 1A- 7A 2.Voltage rating 250V AC 3.Insulation Resistance 1000M Ω Min. 4.Dielectric Strength AC 1500V 1Minute
		UT-D020-4P pitch=3.96mm	
		UT-D062-5P pitch=3.96mm	
		UT-D040-6P pitch=3.96mm	
		UT-D068-6P pitch=3.0mm	
		UT-D044-3P pitch=4.2mm	
		UT-D019-6P pitch=4.2mm	


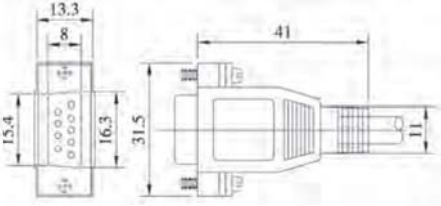

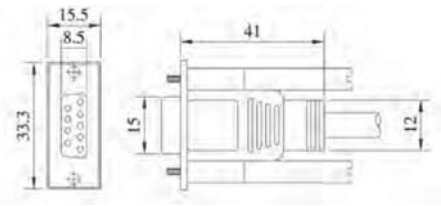

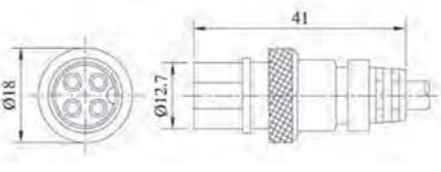

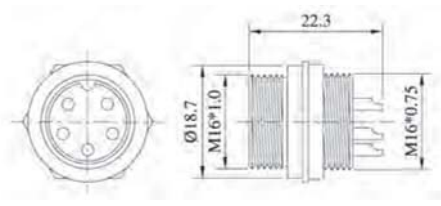
Housing Connector Molded Cable and Socket

Housing Connector Molded Cable

Figure	Drawing	Part No.	Specification
		UT-P065-3P	1.Current rating: 20V DC 8A Max. 2.Voltage rating 500V AC 3.Insulation Resistance 1000M Ω Min. 250V 4.Dielectric Strength AC 500V 1Minute
		UT-P066-3P	
		UT-D226-2P	1.Current rating: 45A 2.Voltage rating: 600V 3.Dielectric Strength AC 2200V
		UT-P234	1.Current rating: 25A 2.Voltage rating: 600V
		UT-HS001-3P	1.Current rating: 20V DC 8A Max. 2.Voltage rating 500V AC 3.Insulation Resistance 1000M Ω Min. 250V 4.Dielectric Strength AC 500V 1Minute
		UT-HS002-3P	
		UT-HS001-3PP	
		UT-HS002-3PP	


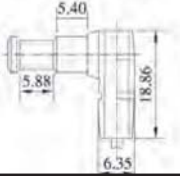

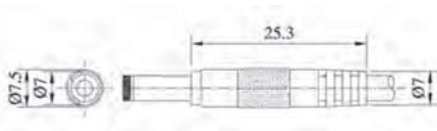

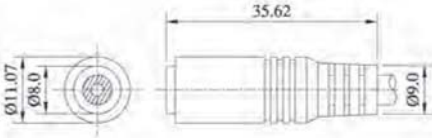

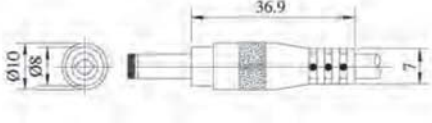

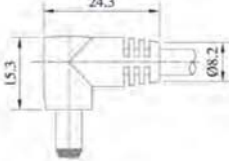

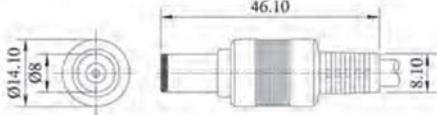

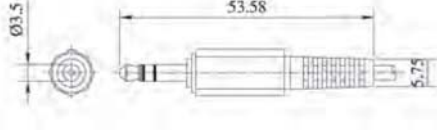


Molded Cable

RS232/ DC/ USB/ Mini USB/ Audio/ Video Plug Jack Connector

Figure	Drawing	Part No.	Specification
		UT-D053-9P	1.Current rating: 5A 3.Dielectric Strength AC 500V 1 Minute
		UT-D074-9P-M UT-D074-9P-F UT-D074-15HD-M UT-D074-15HD-F	
		UT-D033-2P UT-D033-3P UT-D033-4P UT-D033-5P UT-D033-6P UT-D033-7P UT-D033-8P	1.Current rating: 1A-15A 3.Dielectric Strength AC 500V 1 Minute
		UT-AS3320-2P UT-AS3320-3P UT-AS3320-4P UT-AS3320-5P UT-AS3320-6P UT-AS3320-7P UT-AS3320-8P	

Molded Cable

RS232/ DC Plug/ Audio/ Video Plug Jack Connector

Figure	Drawing	Part No.	Available Connector	
			OD	ID
		UT-P057	6.2	1.9
		UT-P108-23507 UT-P108-3209 UT-P108-35135 UT-P108-3811 UT-P108-4017 UT-P108-47517	2.35 3.2 3.5 3.8 4.0 4.75	0.7 0.9 1.35 1.1 1.7 1.7
		UT-P093-5521 UT-P093-5525	5.5 5.5	2.1 2.5
		UT-P106-5521 UT-P106-5525	5.5 5.5	2.1 2.5
		UT-P103-5521 UT-P103-5525 UT-P103-6530	5.5 5.5 6.5	2.1 2.5 3.0
		UT-P059	8	1.5
		UT-P112-3.5M UT-P112-3.5S	3.5 Mono 3.5 Stereo	
		UT-P143-2.5M UT-P143-2.5S	2.5 Mono 2.5 Stereo	