

Field-Assembled Connector Cable

Push Lock Circular Power Connector Field Assembled Cable Specification

1. Current Carrying Capacity:

Large Pin 48V DC 7.5A Max., Small Pin 48V DC 1A Max.

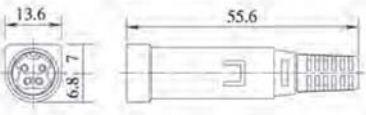


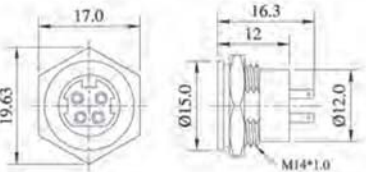
2. Contact Resistance: Large Pin 30mΩ Max., Small Pin 50mΩ Max.

3. Insulation Resistance: DC 250V 50MΩ Min.

4. Voltage Withstanding AC 250V 1 Minute

5. Insertion Force: 3.5Kgs Max.

6. Withdrawal Force: 0.5-2.5Kgs


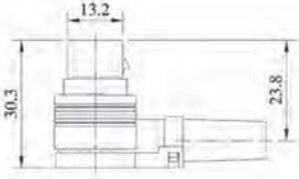

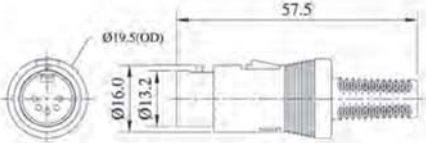

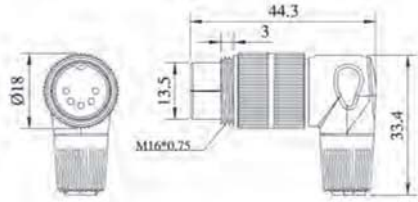

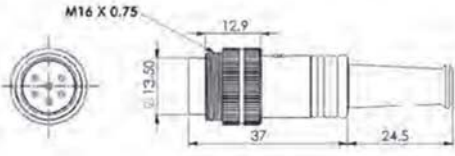

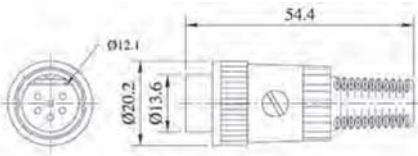
Figure	Drawing	Contact	Part No.
		3 4	UT-A001-3P UT-A001-4P
		3 4	UT-A001-3SCA UT-A001-4SCA
		3 4	UT-A001-3S UT-A001-4S
		3 4	UT-A001-3SS UT-A001-4SS
		3 4	UT-A001-3SP UT-A001-4SP
		3 4	UT-A001-3SPM UT-A001-4SPM

Field-Assembled Connector Cable

Push Lock Din Connector Field Assembled Cable

Specification

1. Current Carrying Capacity: 12V DC 2A or 100V AC 2A Max
2. Contact Resistance: 20mΩ Max.
3. Insulation Resistance: 100MΩ at DC 500V Min.
4. Dielectric Strength: AC 800V 1 Minute


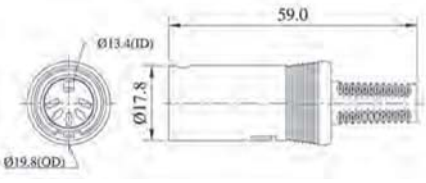

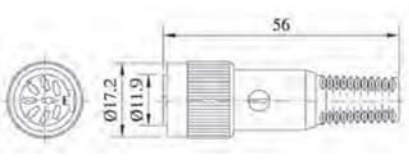

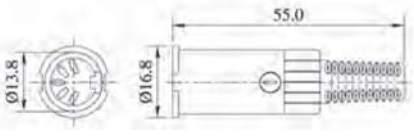
Figure	Drawing	Contact	Part No.
		3 4 5 6 7 8 13	UT-L992-3P UT-L992-4P UT-L992-5P UT-L992-6P UT-L992-7P UT-L992-8P UT-L992-13P
		3 4 5 6 7 8 13	UT-L991-3P UT-L991-4P UT-L991-5P UT-L991-6P UT-L991-7P UT-L991-8P UT-L991-13P
		3 4 5 6 7 8 13	UT-L993-3P UT-L993-4P UT-L993-5P UT-L993-6P UT-L993-7P UT-L993-8P UT-L993-13P
		3 4 5 6 7 8	UT-A984-3P UT-A984-4P UT-A984-5P UT-A984-6P UT-A984-7P UT-A984-8P
		3 4 5 6 7 8	UT-A983-3P UT-A983-4P UT-A983-5P UT-A983-6P UT-A983-7P UT-A983-8P

Field-Assembled Connector Cable

Push Lock Din Connector Field-Assembled Cable

Specification

1. Current Carrying Capacity: 12V DC 2A or 100V AC 2A Max
2. Contact Resistance: 20mΩ Max.
3. Insulation Resistance: 100MΩ at DC 500V Min.
4. Dielectric Strength: AC 800V 1 Minute


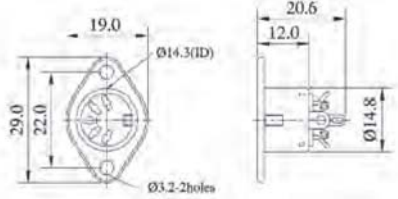

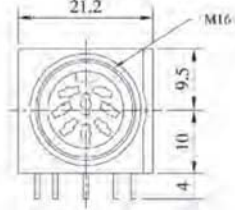

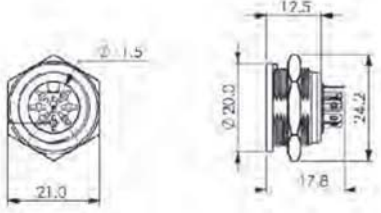

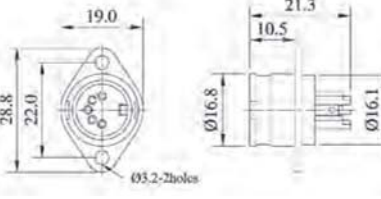
Figure	Drawing	Contact	Part No.
		3 4 5 6 7 8 13	UT-LS990-3P UT-LS990-4P UT-LS990-5P UT-LS990-6P UT-LS990-7P UT-LS990-8P UT-LS990-13P
		3 4 5 6 7 8	UT-AS984-3P UT-AS984-4P UT-AS984-5P UT-AS984-6P UT-AS984-7P UT-AS984-8P
		3 4 5 6 7 8	UT-AS983-3P UT-AS983-4P UT-AS983-5P UT-AS983-6P UT-AS983-7P UT-AS983-8P

Field-Assembled Connector Cable

Push Lock Din Connector Socket

Specification

1. Current Carrying Capacity: 12V DC 2A or 100V AC 2A Max
2. Contact Resistance: 20mΩ Max.
3. Insulation Resistance: 100MΩ at DC 500V Min.
4. Dielectric Strength: AC 800V 1 Minute


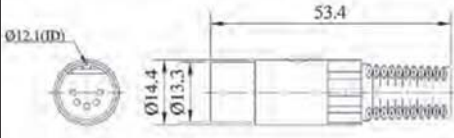

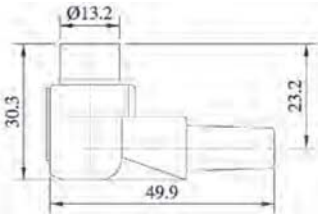

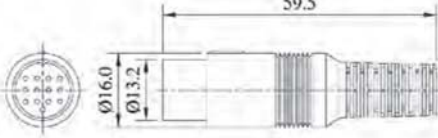

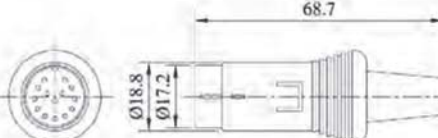



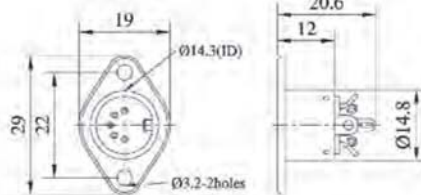
Figure	Drawing	Contact	Part No.
		3 4 5 6 7 8 13	UT-DS555-3P UT-DS555-4P UT-DS555-5P UT-DS555-6P UT-DS555-7P UT-DS555-8P UT-DS555-13P
		3 4 5 6 7 8	UT-DS556-3P UT-DS556-4P UT-DS556-5P UT-DS556-6P UT-DS556-7P UT-DS556-8P
		3 4 5 6 7 8 13	UT-DS553-3P UT-DS553-4P UT-DS553-5P UT-DS553-6P UT-DS553-7P UT-DS553-8P UT-DS553-13P
		3 4 5 6 7 8	UT-DS554-3P UT-DS554-4P UT-DS554-5P UT-DS554-6P UT-DS554-7P UT-DS554-8P

Field-Assembled Connector Cable

Din Connector Field-Assembled Cable

Specification

1. Current Carrying Capacity: 12V DC 2A or 100V AC 2A Max
2. Contact Resistance: 20mΩMax.
3. Insulation Resistance: 100MΩat DC 500V Min.
4. Dielectric Strength: AC 800V 1 Minute


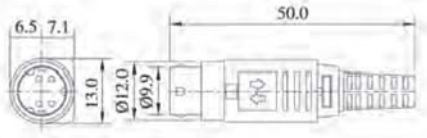

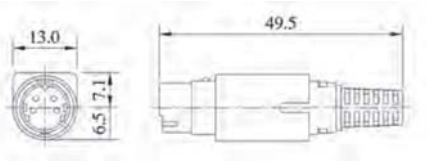

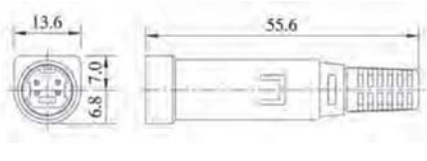

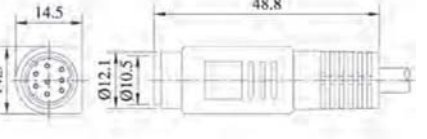
Figure	Drawing	Contact	Part No.
		3 4 5 6 7 8	UT-A982-3P UT-A982-4P UT-A982-5P UT-A982-6P UT-A982-7P UT-A982-8P
		3 4 5 6 7 8 13	UT-A991-3P UT-A991-4P UT-A991-5P UT-A991-6P UT-A991-7P UT-A991-8P UT-A991-13P
		3 4 5 6 7 8 13	UT-A962-3P UT-A962-4P UT-A962-5P UT-A962-6P UT-A962-7P UT-A962-8P UT-A962-13P
		14	UT-A961-14P
		14	UT-AS961-14P
		3 4 5 6 7 8 13	UT-DS557-3P UT-DS557-4P UT-DS557-5P UT-DS557-6P UT-DS557-7P UT-DS557-8P UT-DS557-13P

Field-Assembled Connector Cable

Push Lock Mini Din Connector Field Assembled Cable

Specification

1. Current Carrying Capacity: 12V DC 2A Max.
2. Contact Resistance: 30mΩ Max.
3. Insulation Resistance: DC 250V 50MΩ Min.
4. Dielectric Strength: AC 250V 1 Minute
5. Insertion Force: 4.5Kgs Max.
6. Withdrawal Force: 0.9-3Kgs


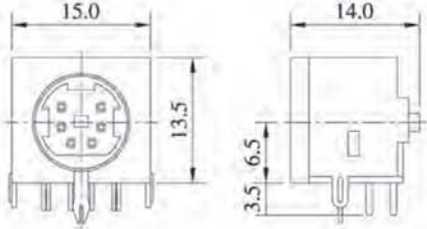

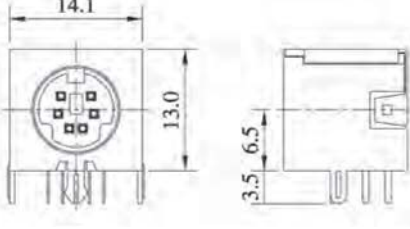

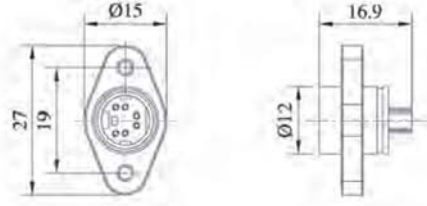

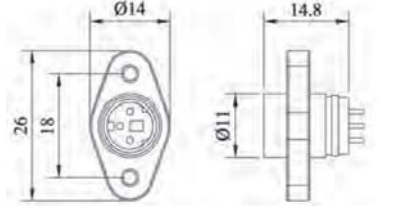

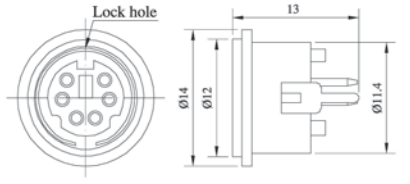
Figure	Drawing	Contact	Part No.
		4 5 6 7 8	UT-L801-4P UT-L801-5P UT-L801-6P UT-L801-7P UT-L801-8P
		3 4 5 6 7 8	UT-L901-3P UT-L901-4P UT-L901-5P UT-L901-6P UT-L901-7P UT-L901-8P
		4 5 6 7 8	UT-LS821-4P UT-LS821-5P UT-LS821-6P UT-LS821-7P UT-LS821-8P
Molded 		3 4 5 6 7 8	UT-P194-3P UT-P194-4P UT-P194-5P UT-P194-6P UT-P194-7P UT-P194-8P

Field-Assembled Connector Cable

Push Lock Mini Din Connector Socket

Specification

1. Current Carrying Capacity: 12V DC 2A Max.
2. Contact Resistance: 30mΩ Max.
3. Insulation Resistance: DC 250V 50MΩ Min.
4. Dielectric Strength: AC 250V 1 Minute
5. Insertion Force: 4.5Kgs Max.
6. Withdrawal Force: 0.9-3Kgs


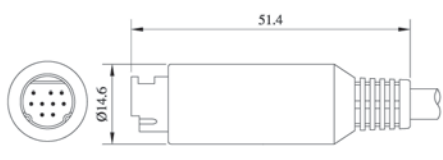

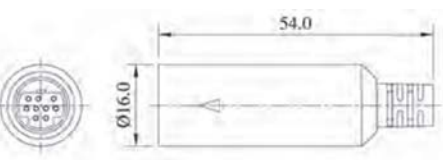

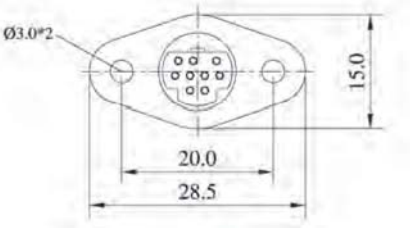
Figure	Drawing	Contact	Part No.
		4 5 6 7 8	UT-LS811-4P UT-LS811-5P UT-LS811-6P UT-LS811-7P UT-LS811-8P
		3 4 5 6 7 8	UT-LS911-3P UT-LS911-4P UT-LS911-5P UT-LS911-6P UT-LS911-7P UT-LS911-8P
		6 8	UT-LS811P-6P UT-LS811P-8P
		3 4 6 8	UT-LS911P-3P UT-LS911P-4P UT-LS911P-6P UT-LS911P-8P
		3 4 5 6 7 8	UT-LS912-3P UT-LS912-4P UT-LS912-5P UT-LS912-6P UT-LS912-7P UT-LS912-8P

Field-Assembled Connector Cable


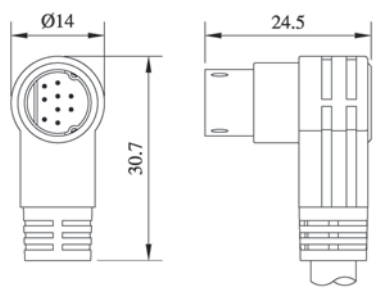
Mini Din Connector Field-Assembled Cable

Specification for Mini Din Connector

- 1.Current Carrying Capacity: 12V DC 2A Max.
- 2.Contact Resistance: 30mΩMax.
- 3.Insulation Resistance: DC 250V 50MΩMin.
- 4.Dielectric Strength: AC 250V 1 Minute

Figure	Drawing	Contact	Part No.
		9	UT-A901-9P
		9	UT-AS901-9P
		9	UT-AS902-9P

Molded Mini Din Connector Cable

Figure	Drawing	Contact	Part No.
		9	UT-D028-9P